



**CHAFFOTEAUX  
& MAURY**

## SPARE PARTS EXPLODED VIEW COMMUNAL GAS BOILERS

Model

**MODULOFLAME**

R8202423-02EN - Edition 02 - 10/05/2005

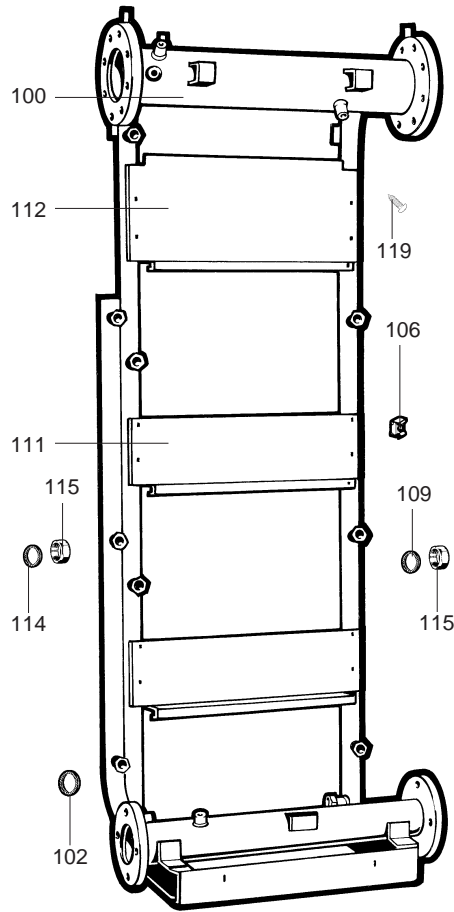
MODULOFLAME

Communal Gas Boilers

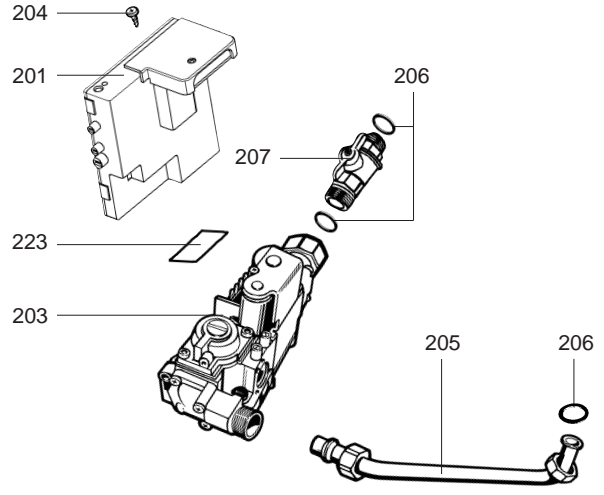


| 83670051  | 31   | MODULOFLAME 80  | 06/96 | 08/98 |
|-----------|------|-----------------|-------|-------|
| 983670051 | 32   | MODULOFLAME 120 | 09/98 | ...   |
| 83660051  | 31   | MODULOFLAME 120 | 06/96 | 06/98 |
| 983660051 | 32   | MODULOFLAME 120 | 05/98 | ...   |
| Reference | Ind. | Model type      | Begin | End   |

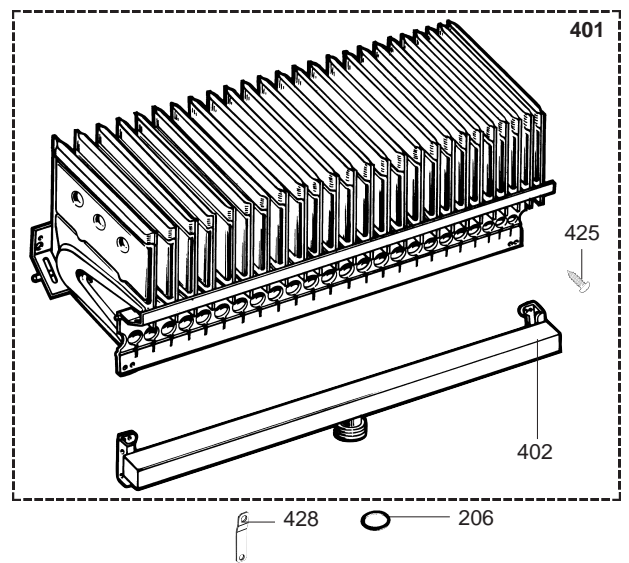
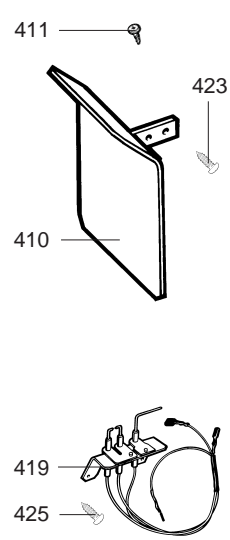
100



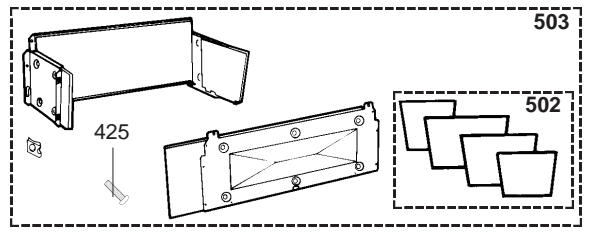
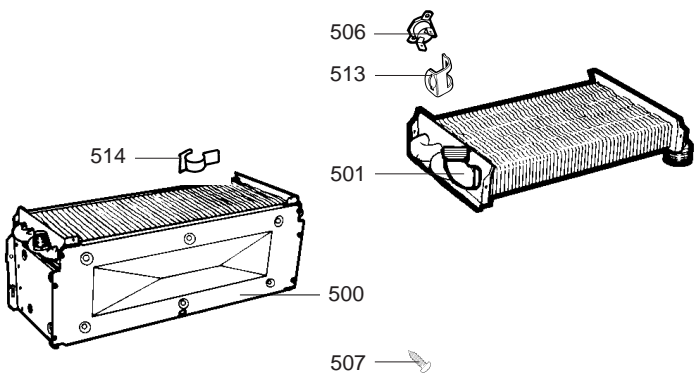
200



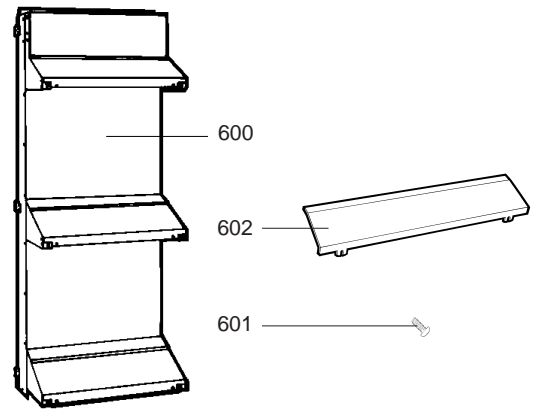
400



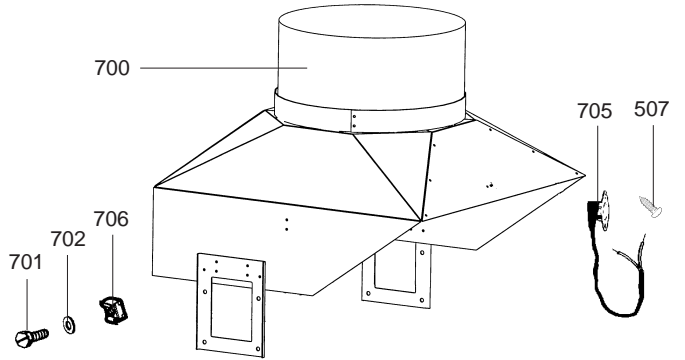
500



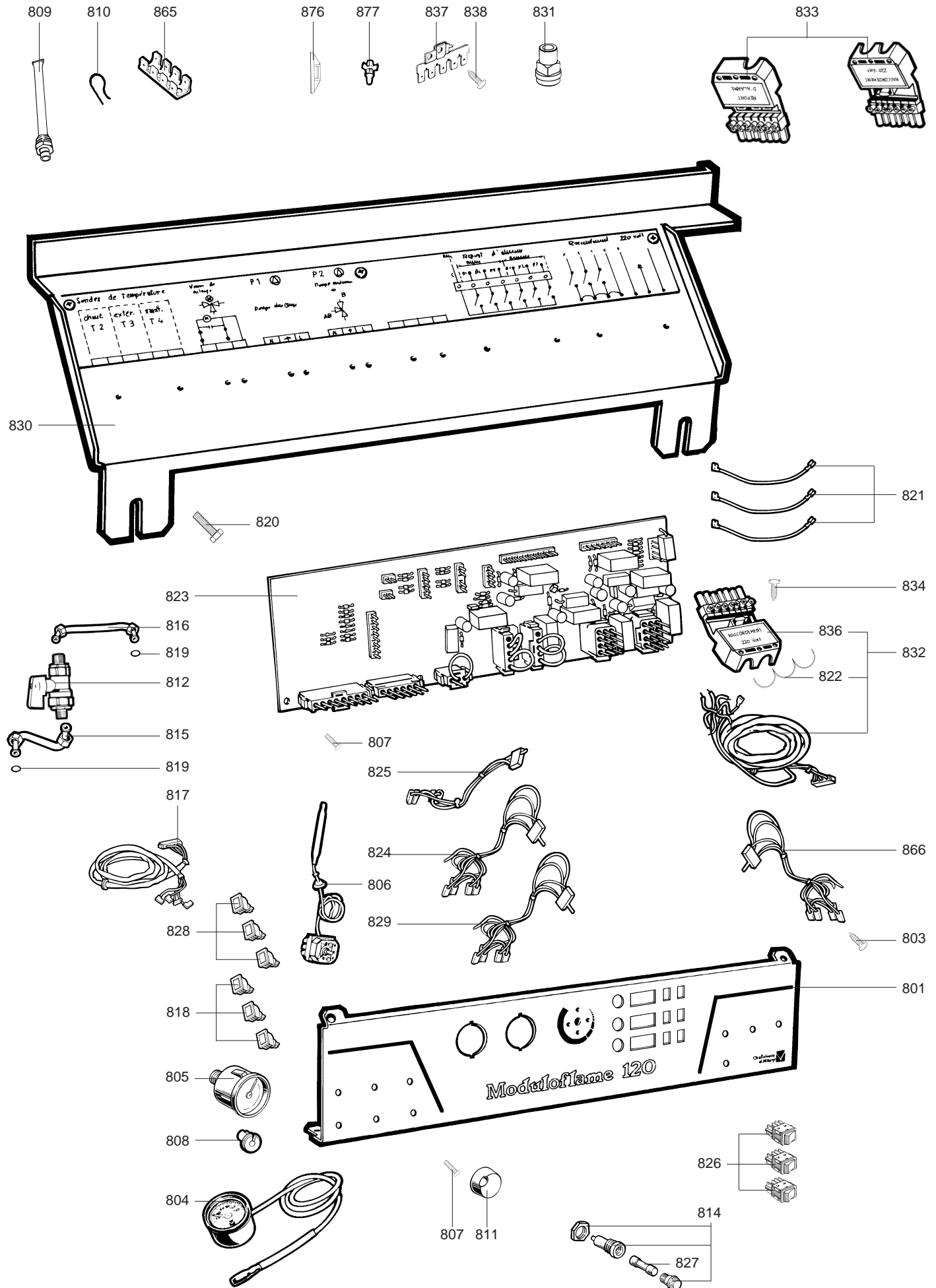
600



700

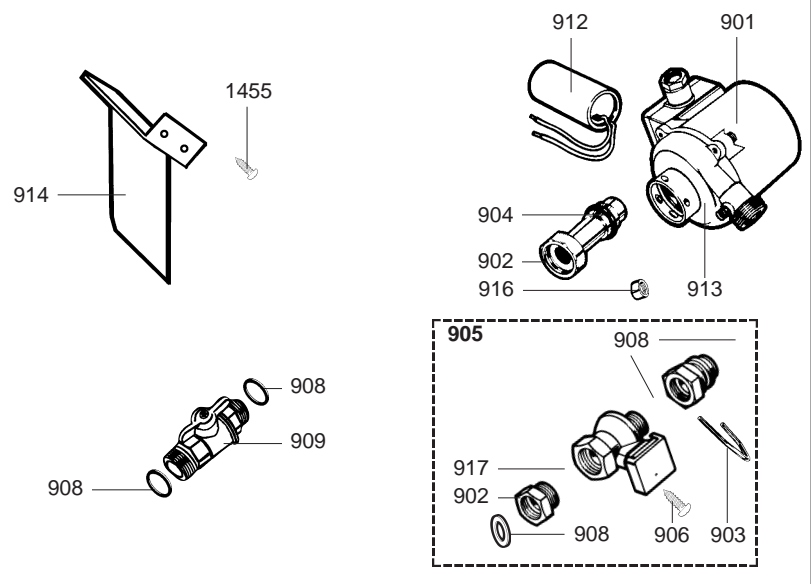


| Key N°      | Description                   | Manf. Pt. N° | Other | Type | 31          |     | 32          |     | Manf. date |    |
|-------------|-------------------------------|--------------|-------|------|-------------|-----|-------------|-----|------------|----|
|             |                               |              |       |      | MODULOFLAME |     | MODULOFLAME |     | from       | to |
|             |                               |              |       |      | 80          | 120 | 80          | 120 |            |    |
| <b>0100</b> | <b>CHASSIS</b>                | 61012399     |       |      |             | •   |             |     |            |    |
|             | CHASSIS                       | 61012400     |       |      | •           |     |             |     |            |    |
|             | CHASSIS                       | 61013067     |       |      |             |     | •           |     |            |    |
|             | CHASSIS                       | 61013068     |       |      |             |     | •           |     |            |    |
| 0102        | SHEET GASKET D: 24-18.2-1.5   | 60061855-01  |       |      | •           | •   |             |     |            |    |
| 0106        | TRAPPED NUT M 6               | 60004806-03  |       |      | •           | •   | •           | •   |            |    |
| 0109        | WASHER D: 18.4-12.2-1.5       | 60061855-14  |       |      |             |     | •           | •   |            |    |
| 0111        | DUCT SUPPORT                  | 61015725     |       |      |             |     | •           | •   |            |    |
| 0112        | BURNER SUPPORT                | 61015726     |       |      |             |     | •           | •   |            |    |
| 0114        | SHEET GASKET D: 18.4-12.2-1.5 | 60022835-14  |       |      |             |     | •           | •   |            |    |
| 0115        | PLUG 1/2"                     | 61007978     |       |      |             |     | •           | •   |            |    |
| 0119        | TAPPING SCREW CBLX D: 4.2-9.5 | 61010125     |       |      |             |     | •           | •   |            |    |
| <b>0200</b> | <b>GAS SECTION</b>            |              |       |      |             |     |             |     |            |    |
| 0201        | RECLOSING BOX                 | 61012382     |       |      | •           | •   | •           | •   |            |    |
| 0203        | GAS ASSY                      | 61012398     |       |      | •           | •   | •           | •   |            |    |
| 0204        | SCREW CB D:2.5-30             | 61011991     |       |      | •           | •   | •           | •   |            |    |
| 0205        | GAS TUBE KIT                  | 60081794     |       |      | •           | •   | •           | •   |            |    |
| 0206        | SHEET GASKET D: 24-18.2-1.5   | 60022835-01  |       |      | •           | •   | •           | •   |            |    |
| 0207        | ISOLATING COCK                | 61011561     |       |      | •           | •   | •           | •   |            |    |
| 0223        | GASKET                        | 61012544     |       |      | •           | •   | •           | •   |            |    |
| <b>0400</b> | <b>BURNER ASSEMBLY</b>        |              |       |      |             |     |             |     |            |    |
| 0401        | BURNER                        | 61011960     |       |      | •           | •   | •           | •   |            |    |
| 0402        | MANIFOLD 25 INJ. NAT          | 61012446     |       | NAT  | •           | •   | •           | •   |            |    |
| 0410        | PANEL                         | 61012402     |       |      | •           | •   |             |     |            |    |
|             | PANEL                         | 61014444     |       |      |             |     | •           | •   |            |    |
| 0411        | SCREW CB D:2.5-30             | 61011991     |       |      |             |     | •           | •   |            |    |
| 0419        | ELECTRODES                    | 61012551     |       |      | •           | •   | •           | •   |            |    |
| 0423        | SCREW M 6-10                  | 60031527-03  |       |      | •           | •   |             |     |            |    |
|             | SCREW CLXS M 6-10             | 61015359     |       |      |             |     | •           | •   |            |    |
| 0425        | TAPPING SCREW CBLX D: 4.2-9.5 | 61010125     |       |      | •           | •   | •           | •   |            |    |
| 0428        | BEARING BRACKET               | 60075297-10  |       |      |             |     | •           | •   |            |    |
| <b>0500</b> | <b>HEATING BODY</b>           | 61012447     |       |      | •           | •   |             |     |            |    |
| 0501        | HEAT EXCHANGER                | 61007557     |       |      | •           | •   | •           | •   |            |    |
| 0502        | COMBUSTION CHAMBER LINING KIT | 60081797     |       |      | •           | •   | •           | •   |            |    |
| 0503        | COMBUSTION CHAMBER            | 61012405     |       |      | •           | •   | •           | •   |            |    |
| 0506        | OVERHEAT THERMOSTAT 105°C     | 61008282     |       |      | •           | •   |             |     |            |    |
|             | OVERHEAT THERMOSTAT 105°C     | 61010191     |       |      |             |     | •           | •   |            |    |
| 0507        | TAPPING SCREW CBLZ D: 3.5-6.5 | 60031521-03  |       |      | •           | •   |             |     |            |    |
| 0513        | CLIP                          | 61010050     |       |      |             |     | •           | •   |            |    |
| 0514        | CLIP                          | 61001087     |       |      |             |     | •           | •   |            |    |
| <b>0600</b> | <b>FLUE DUCTING ASSY</b>      | 61012907     |       |      | •           | •   |             |     |            |    |
|             | FLUE DUCTING ASSY             | 61012908     |       |      |             | •   | •           |     |            |    |
| 0601        | TAPPING SCREW CBLX D: 4.2-9.5 | 61010125     |       |      |             |     | •           | •   |            |    |
| 0602        | DEFLECTOR                     | 61007903     |       |      | •           | •   |             |     |            |    |
|             | DEFLECTOR                     | 61014446     |       |      |             |     | •           | •   |            |    |
| <b>0700</b> | <b>DRAUGHT DIVERTER</b>       | 61012082     |       |      | •           | •   | •           | •   |            |    |
| 0701        | SCREW HS M 6-15               | 60019316-03  |       |      | •           | •   | •           | •   |            |    |
| 0702        | WASHER D: 14.2-7.2-1.2        | 60005369-03  |       |      | •           | •   | •           | •   |            |    |
| 0705        | OVERHEAT THERMOSTAT 75°C      | 61003959     |       |      | •           | •   | •           | •   |            |    |
| 0706        | TRAPPED NUT M 6               | 60004806-03  |       |      |             |     | •           | •   |            |    |

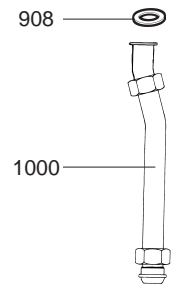


| Key N° | Description                   | Manf. Pt. N° | Other | Type  | 31          |     | 32          |     | Manf. date |    |
|--------|-------------------------------|--------------|-------|-------|-------------|-----|-------------|-----|------------|----|
|        |                               |              |       |       | MODULOFLAME |     | MODULOFLAME |     | from       | to |
|        |                               |              |       |       | 80          | 120 | 80          | 120 |            |    |
| 0800   | TOP STRIP                     |              |       |       |             |     |             |     |            |    |
| 0801   | SERIGRAPHED STRIP             | 61011571     |       |       |             | •   |             |     |            |    |
|        | SERIGRAPHED STRIP             | 61012494     |       |       | •           |     |             |     |            |    |
|        | SERIGRAPHED STRIP             | 61014463     |       |       |             |     | •           |     |            |    |
|        | SERIGRAPHED STRIP             | 61014465     |       |       |             |     | •           |     |            |    |
| 0803   | TAPPING SCREW D: 4.8-9.5      | 61007613     |       |       | •           | •   | •           | •   |            |    |
| 0804   | THERMOMETER ASSY              | 60081022     |       |       | •           | •   | •           | •   |            |    |
| 0805   | PRESSURE GAUGE                | 61007278     |       |       | •           | •   | •           | •   |            |    |
| 0806   | HEATING THERMOSTAT            | 61009766     |       |       | •           | •   | •           | •   |            |    |
| 0807   | SCREW M 4-6                   | 60019197-03  |       |       | •           | •   | •           | •   |            |    |
| 0808   | CONNECTION                    | 61001256     |       |       | •           | •   |             |     |            |    |
| 0809   | HEAT SENSOR SUPPORT (Lg 80)   | 61003594     |       |       | •           | •   | •           | •   |            |    |
| 0810   | CLIP                          | 60074039     |       |       | •           | •   | •           | •   |            |    |
| 0811   | BLACK AQUASTAT KNOB           | 61004996     |       |       | •           | •   | •           | •   |            |    |
| 0812   | TAP KIT                       | 60081550     |       |       | •           | •   | •           | •   |            |    |
| 0814   | FUSE HOLDER                   | 61009730     |       |       | •           | •   | •           | •   |            |    |
| 0815   | TUBE-MANOMETER TO TAP         | 60081593     |       |       | •           | •   |             |     |            |    |
|        | TUBE-MANOMETER TO TAP         | 60081822     |       |       |             |     | •           | •   |            |    |
| 0816   | TAP TUBE                      | 60081594     |       |       | •           | •   | •           | •   |            |    |
| 0817   | AQUASTAT LEAD                 | 61012538     |       |       | •           | •   | •           | •   |            |    |
| 0818   | ORANGE SIGNAL                 | 61007530     |       |       | •           | •   | •           | •   |            |    |
| 0819   | SHEET GASKET D: 8.5-4.1-1.5   | 60061852-12  |       |       | •           | •   | •           | •   |            |    |
| 0820   | SCREW HS M 6-15               | 60019316-03  |       |       | •           | •   | •           | •   |            |    |
| 0821   | SHUNT                         | 61011550     |       |       |             |     | •           | •   |            |    |
| 0822   | SHUNT                         | 61007957     |       |       | •           | •   | •           | •   |            |    |
| 0823   | PRINTED CIRCUIT BOARD         | 61009995     |       |       | •           |     |             |     |            |    |
|        | PRINTED CIRCUIT BOARD         | 61009996     |       |       |             | •   |             |     |            |    |
|        | PRINTED CIRCUIT BOARD         | 61014560     |       |       |             |     | •           |     |            |    |
|        | PRINTED CIRCUIT BOARD         | 61014561     |       |       |             |     | •           |     |            |    |
| 0824   | SWITCH CABLE                  | 61011517     |       |       |             | •   | •           |     |            |    |
|        | SWITCH CABLE                  | 61011518     |       |       | •           | •   |             |     |            |    |
| 0825   | CABLE - FLAME                 | 61003430     |       |       | •           |     | •           |     |            |    |
|        | CABLE - FLAME                 | 61009200     |       |       |             | •   | •           |     |            |    |
| 0826   | SWITCH                        | 61003396     |       |       | •           | •   | •           | •   |            |    |
| 0827   | FUSE 250V 2A                  | 60054442     |       |       | •           | •   | •           | •   |            |    |
| 0828   | RED SIGNAL                    | 61007529     |       |       | •           | •   | •           | •   |            |    |
| 0829   | FUSE HOLDER CABLE             | 61003963     |       |       |             | •   | •           |     |            |    |
|        | FUSE HOLDER CABLE             | 61003964     |       |       | •           |     | •           |     |            |    |
| 0830   | ELECTRICAL CONNECTION PLATE   | 61014448     |       |       |             |     | •           | •   |            |    |
| 0831   | THERMOMETER SUPPORT           | 61014478     |       |       |             |     | •           | •   |            |    |
| 0832   | BURNER CABLE                  | 61012411     |       | NIV 1 | •           | •   | •           | •   |            |    |
|        | BURNER CABLE                  | 61012412     |       | NIV 2 | •           | •   | •           | •   |            |    |
|        | BURNER CABLE                  | 61012413     |       | NIV 3 |             | •   | •           |     |            |    |
| 0833   | CONNECTOR                     | 61007671     |       |       |             |     | •           | •   |            |    |
| 0834   | TAPPING SCREW D: 2.9-19       | 61007679     |       |       |             |     | •           | •   |            |    |
| 0836   | CONTACT PIN 7 P.              | 61007668     |       |       | •           | •   | •           | •   |            |    |
| 0837   | CONNECTION STRIP              | 61010152     |       |       | •           | •   | •           | •   |            |    |
| 0838   | TAPPING SCREW CBLZ D: 3.5-6.5 | 60031521-03  |       |       | •           | •   | •           | •   |            |    |
| 0865   | CONNECTION STRIP              | 61002725     |       |       | •           | •   |             |     |            |    |
| 0866   | CABLE ABSENCE FLAME           | 61012555     |       |       |             | •   | •           |     |            |    |
|        | CABLE ABSENCE FLAME           | 61012556     |       |       | •           |     | •           |     |            |    |
| 0876   | ADHESIVE BEARING OF CABLE     | 61008013     |       |       |             |     | •           | •   |            |    |
| 0877   | SPACER                        | 60076164     |       |       | •           | •   | •           | •   |            |    |

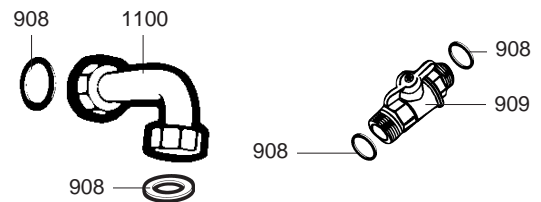
900



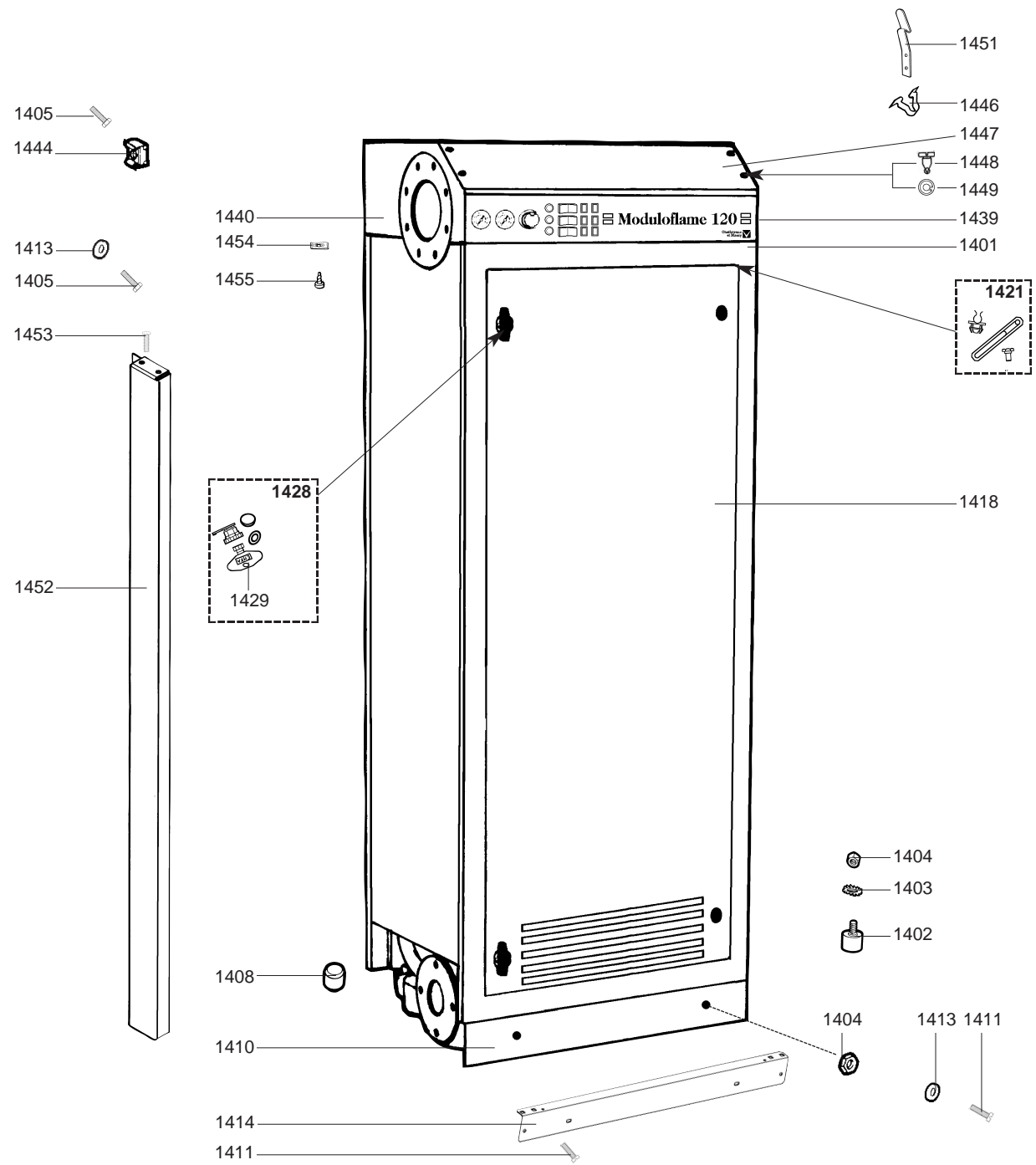
1000



1100

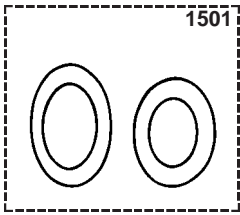


1400

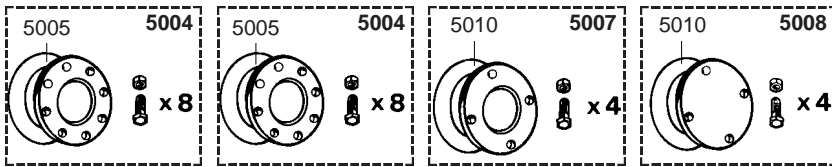
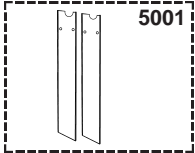


| Key N°      | Description                         | Manf. Pt. N° | Other | Type | 31          |     | 32          |     | Manf. date |    |
|-------------|-------------------------------------|--------------|-------|------|-------------|-----|-------------|-----|------------|----|
|             |                                     |              |       |      | MODULOFLAME |     | MODULOFLAME |     | from       | to |
|             |                                     |              |       |      | 80          | 120 | 80          | 120 |            |    |
| <b>0900</b> | <b>PUMP</b>                         |              |       |      |             |     |             |     |            |    |
| 0901        | PUMP UP 15/60 220V                  | 61010613     |       |      | •           | •   | •           | •   |            |    |
| 0902        | CONNECTION                          | 61011565     |       |      |             |     | •           | •   |            |    |
| 0903        | CLIP                                | 60030898-03  |       |      | •           | •   | •           | •   |            |    |
| 0904        | "O" RING D: 27.8-3.6                | 60024164-35  |       |      |             |     | •           | •   |            |    |
| 0905        | STOPPED WATER THROTTLE KIT          | 60081798     |       |      | •           | •   | •           | •   |            |    |
| 0906        | TAPPING SCREW CBLZ D: 2.2-4.8       | 61012545     |       |      |             |     | •           | •   |            |    |
| 0908        | SHEET GASKET D: 24-18.2-1.5         | 60061855-01  |       |      | •           | •   | •           | •   |            |    |
| 0909        | ISOLATING COCK                      | 61011561     |       |      | •           | •   | •           | •   |            |    |
| 0912        | CAPACITOR                           | 61000652-10  |       |      | •           | •   | •           | •   |            |    |
| 0913        | VOLUTE KIT                          | 60081040     |       |      | •           | •   | •           | •   |            |    |
| 0914        | DEFLECTOR ON PUMP                   | 61012403     |       |      | •           | •   |             |     |            |    |
| 0916        | PLUG M 10-100                       | 60015709     |       |      |             |     | •           | •   |            |    |
| 0917        | SHEET GASKET D: 29.9-20-1.5         | 60061856-03  |       |      | •           | •   | •           | •   |            |    |
| <b>1000</b> | <b>HEATING RETURN TUBE</b>          | 61008448     |       |      | •           | •   | •           | •   |            |    |
| <b>1100</b> | <b>OUTGOING TUBE - HEATING BODY</b> | 61012410     |       |      | •           | •   | •           | •   |            |    |
| <b>1400</b> | <b>FRONT CASE</b>                   |              |       |      |             |     |             |     |            |    |
| 1401        | FRONT FRAME                         | 61012415     |       |      |             | •   |             |     |            |    |
|             | FRONT FRAME                         | 61012416     |       |      | •           |     |             |     |            |    |
| 1402        | CENTRING OF FRAME                   | 61007501     |       |      | •           | •   |             |     |            |    |
| 1403        | WASHER                              | 61007614     |       |      | •           | •   |             |     |            |    |
| 1404        | NUT H M 6-1                         | 60026501-03  |       |      | •           | •   | •           | •   |            |    |
| 1405        | SCREW HS M 6-15                     | 60019316-03  |       |      | •           | •   |             |     |            |    |
| 1408        | CENTRING CONTACT                    | 61007611     |       |      | •           | •   |             |     |            |    |
| 1410        | BOTTOM PLATE                        | 61007500-06  |       |      | •           | •   |             |     |            |    |
|             | BOTTOM PLATE                        | 61014458     |       |      |             |     | •           | •   |            |    |
| 1411        | SCREW CLS M 6-14                    | 60014044     |       |      | •           | •   | •           | •   |            |    |
| 1413        | WASHER D: 14.2-7.2-1.2              | 60005369-03  |       |      | •           | •   | •           | •   |            |    |
| 1414        | BOTTOM PLATE SUPPORT                | 61014459     |       |      |             |     | •           | •   |            |    |
| 1418        | DOOR ASSY                           | 61012498     |       |      |             | •   |             |     |            |    |
|             | DOOR ASSY                           | 61012500     |       |      | •           |     |             |     |            |    |
|             | DOOR ASSY                           | 61014472     |       |      |             |     |             | •   |            |    |
|             | DOOR ASSY                           | 61014473     |       |      |             |     |             | •   |            |    |
| 1421        | HINGE BAR KIT                       | 60081479     |       |      | •           | •   | •           | •   |            |    |
| 1428        | LOCKING MECHANISM ASSY              | 60081799     |       |      | •           | •   | •           | •   |            |    |
| 1429        | KEY                                 | 61012495     |       |      | •           | •   | •           | •   |            |    |
| 1439        | PANEL - RIGHT CLAMP                 | 61009195     |       |      | •           | •   |             |     |            |    |
|             | PANEL - RIGHT CLAMP                 | 61014461     |       |      |             |     | •           | •   |            |    |
| 1440        | PANEL - LEFT CLAMP                  | 61009196     |       |      | •           | •   |             |     |            |    |
|             | PANEL - LEFT CLAMP                  | 61014460     |       |      |             |     | •           | •   |            |    |
| 1444        | TRAPPED NUT M 6                     | 60004806-03  |       |      | •           | •   | •           | •   |            |    |
| 1446        | FASTENER                            | 61007602     |       |      | •           | •   | •           | •   |            |    |
| 1447        | COLLECTOR COVER                     | 61007519     |       |      | •           | •   | •           | •   |            |    |
| 1448        | STUD                                | 61007600     |       |      | •           | •   | •           | •   |            |    |
| 1449        | WASHER                              | 61007601     |       |      | •           | •   | •           | •   |            |    |
| 1452        | PILLAR                              | 61014452     |       |      |             |     |             | •   |            |    |
|             | PILLAR                              | 61014453     |       |      |             |     |             | •   |            |    |
| 1453        | SCREW CLXS M 6-10                   | 61015359     |       |      |             |     | •           | •   |            |    |
| 1454        | SPIRE CLIP                          | 60079753     |       |      |             |     | •           | •   |            |    |
| 1455        | TAPPING SCREW CBLX D: 4.2-9.5       | 61010125     |       |      |             |     | •           | •   |            |    |

1500



5000



MODULOFLAME

Communal Gas Boilers







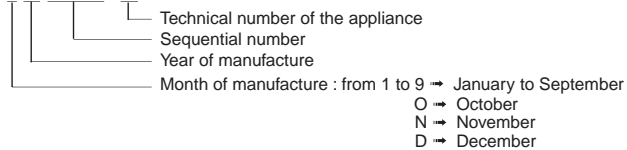
## LIST OF THE ABBREVIATIONS

|             |  |
|-------------|--|
| HW .....    | : Hot water.                                   |
| CW .....    | : Cold water.                                  |
| C .....     | : Ceramic resistance (nomral heating).         |
| Ca .....    | : Ceramic resistance (accelerated heating)     |
| TP .....    | : Immersion heater.                            |
| 1F .....    | : With fittings.                               |
| 2F .....    | : Without fittings.                            |
| 3F .....    | : With fittings and another outlet connection. |
| AMI .....   | : With mixing valve.                           |
| SMI .....   | : Without mixing valve.                        |
| PUISS ..... | : Power of th appliance.                       |
| PN .....    | : Appliance with normal pression.              |
| LP .....    | : Appliance with low pression.                 |
| PV .....    | : Appliance with variable power.               |
| PF .....    | : Appliance with fixed power..                 |

## IDENTIFICATION PLATE

### SERIAL NUMBER

Ex: 1 95 065004 - 31



The indications mentionned on the prices, commercial or technical literature and the scheme are written for your guidance and are available at a given time. The CONSTRUCTOR retains the power to modify the presentation, the form, the size, the conception or the material of the products.