

# SPARE PARTS EXPLODED VIEW GAS WALL BOILERS

Model

## **URBIA - SERELIA GREEN EVO**

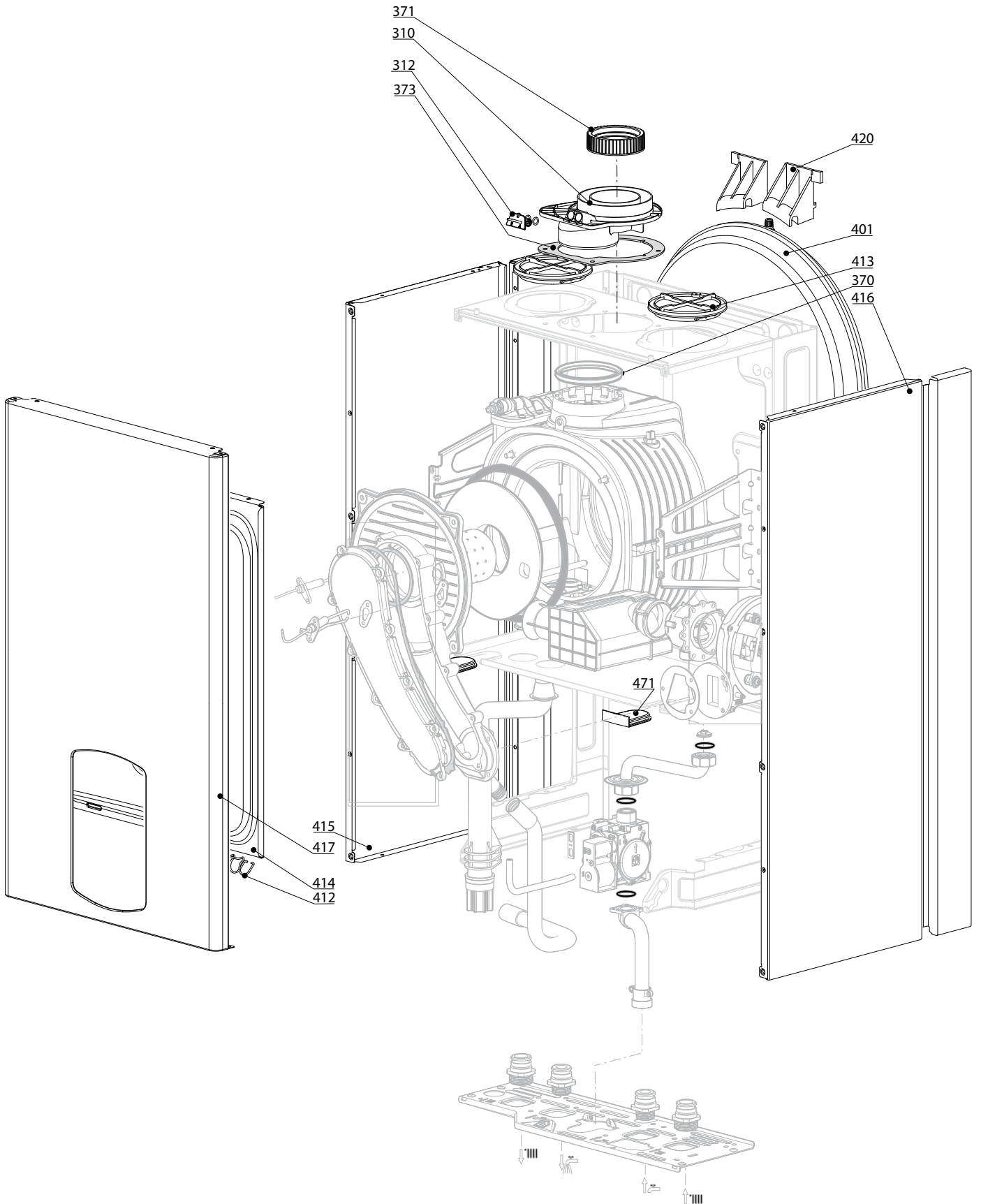
R8203349-01 - 26/06/2012

1	3310234	URBIA GREEN EVO 25	05-2012
2	3310238	URBIA GREEN EVO 30	05-2012
3	3310239	URBIA GREEN EVO 35	05-2012
4	3310241	SERELIA GREEN EVO 25 IT	07-2012

Col	Reference	Model type	Begin	End
-----	-----------	------------	-------	-----



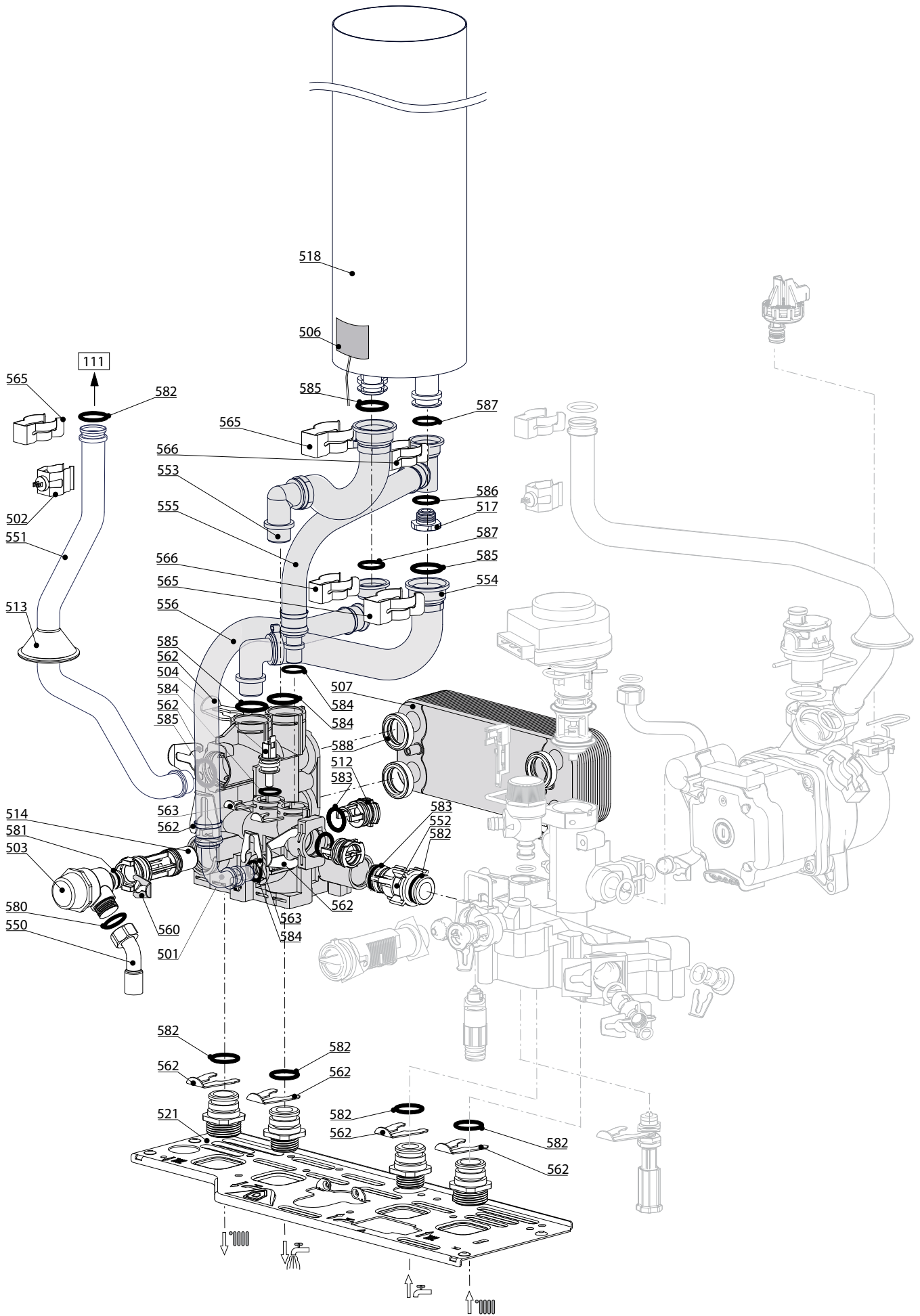
☰	Description	Manf. Pt. N	Type	URBIA GREEN EVO 23 URBIA GREEN EVO 30 URBIA GREEN EVO 35 SERELIA GREEN EVO 23																	
				1	2	3	4	5	6	7	8	9	10	11	12	13	14	15	16	17	18
<b>0100</b>	<b>BURNER ASSEMBLY</b>																				
0101	IGNITION ELECTRODE	60000868-01		•	•	•	•														
0102	IONIZATION ELECTRODE	60000867-01		•	•	•	•														
0110	INSULATION (FRONTAL)	60000297		•	•	•	•														
0111	EXCHANGER 30KW	65111606			•																
	EXCHANGER 35KW	65111607					•														
	EXCHANGER 18/24KW	65111608		•				•													
0114	BURNER 18/24KW	60000288-01		•				•													
	BURNER 30KW	60001912				•															
	BURNER 35KW	60001913					•														
0115	AIR SEPARATOR	60000994		•	•	•	•														
0116	DOOR ASSY	65111604		•	•	•	•														
0117	TRAP	60000987		•	•	•	•														
0150	TUBE PVC D:19 L:500	60000976		•	•	•	•														
0151	OUTGOING CONDENSATION TUBE	60001929		•	•	•	•														
0152	SILICONE TUBE D: 8x1 L: 0.15M	60001013		•	•	•	•														
0171	GASKET D:80.6-1.8	60001610		•	•	•	•														
0172	ELECTRODE GASKET	60000286-01		•	•	•	•														
0173	DOOR GASKET	60000623		•	•	•	•														
0175	GASKET	60001609		•	•	•	•														
<b>0200</b>	<b>GAS SECTION</b>																				
0201	GAS VALVE	60001612		•	•	•	•														
0202	FAN ASSY	60001869		•	•	•	•														
0210	GAS RESTRICTOR D: 6.40	60001923	MET	•			•														
	GAS RESTRICTOR D: 6.90	60001924	MET				•														
	GAS RESTRICTOR D: 7.50	60001925	MET					•													
0212	VENTURI D: 24MM	60001915		•				•													
	VENTURI D: 26 MM	60001916						•													
	VENTURI D: 28MM	60001917							•												
0213	SILENCER	60001926		•	•	•	•														
0214	GAS TUBE 24 KW	60001934		•				•													
	GAS TUBE 30 KW	60001935						•													
	GAS TUBE 35 KW	60001936							•												
0217	UNION (3/4)	65104326		•	•	•	•														
0218	UNION (1/2)	65104327		•	•	•	•														
0219	GROMMET	61010109		•	•	•	•														
0250	GAS TUBE	60000720		•	•	•	•														
0251	SILICONE PIPE	60001613		•	•	•	•														
0270	GASKET (SPARK GENERATOR)	574279		•	•	•	•														
0271	GASKET	60001931		•	•	•	•														
0281	O-RING 22,22X2,62	65104304		•	•	•	•														
0282	SHEET GASKET D: 24-18.2-1.5	60022835-01		•	•	•	•														
0286	GASKET	60001878		•	•	•	•														



URBIA GREEN EVO 23  
 URBIA GREEN EVO 30  
 URBIA GREEN EVO 35  
 SERELIA GREEN EVO 23

31

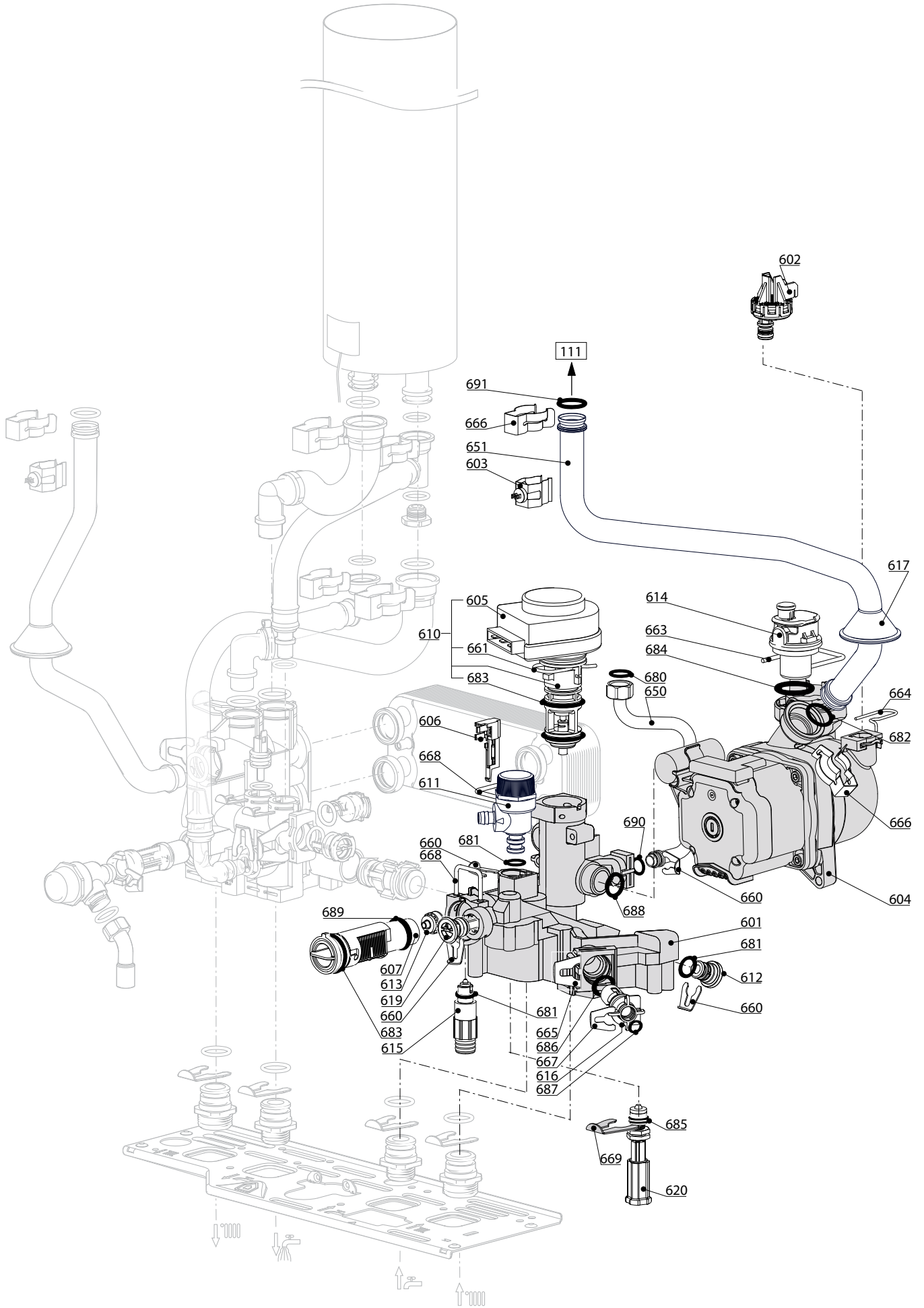
Description	Manf. Pt. N	Type																		
			1	2	3	4	5	6	7	8	9	10	11	12	13	14	15	16	17	18
<b>0300 FAN ASSEMBLY</b>																				
0310 BI FLUX CONNECTION	60000523		•	•	•	•														
0312 FLUE INTAKE PLUG	65104295		•	•	•	•														
0370 SEALING RING 80mm	60000315		•	•	•	•														
0371 GASKET	60000316		•	•	•	•														
0373 GASKET	60000317		•	•	•	•														
<b>0400 SEALED CASE</b>																				
0401 EXPANSION VESSEL 7.5L	60000823		•	•	•	•														
0412 SPRING FRONT PANEL (KIT)	65104298		•	•	•	•														
0413 AIR RETURN COVER	65104249		•	•	•	•														
0414 PANEL (FRONT - SEALED CHAMBER)	65105679		•	•	•	•														
0415 SIDE PANELS LEFT + RIGHT	65111885		•			•														
SIDE PANELS LEFT + RIGHT	65111900					•														
SIDE PANELS LEFT + RIGHT	65111901					•														
0417 CASE PANEL (FRONT)	60000719		•	•	•	•														
0470 CABLE INLET RUBBER WASHER	60000540		•	•	•	•														
0471 CABLE INLET RUBBER WASHER	60000541		•	•	•	•														



URBIA GREEN EVO 23  
 URBIA GREEN EVO 30  
 URBIA GREEN EVO 35  
 SERELIA GREEN EVO 23

31

Description	Manf. Pt. N	Type																		
			1	2	3	4	5	6	7	8	9	10	11	12	13	14	15	16	17	18
<b>0500 FLOW GROUP</b>																				
0501 FLOW GROUP	60000873		•	•	•	•														
0502 TEMPERATURE PROBE + CLIP	990686		•	•	•	•														
0503 PRESSURE RELIEF VALVE 3 BAR	61312668		•	•	•	•														
0504 NTC PROBE	65104338		•	•	•	•														
0506 NTC PROBE	60000822		•	•	•	•														
0507 WATER / WATER HEAT EXCHANGER 16	65104333		•	•	•	•														
0512 PLUG	65104445		•	•	•	•														
0513 GROMMET	61010109		•	•	•	•														
0514 BY-PASS	65104336		•	•	•	•														
0517 PLUG 3/4"	60000996		•	•	•	•														
0518 CYLINDER 4L	60000831		•	•	•	•														
CYLINDER 15L	60000832						•													
0521 HYDRAULIC GROUP SUPPORT	60001375		•	•	•	•														
0550 PIPE (SAFETY VALVE)	65104447		•	•	•	•														
0551 HEATING FLOW TUBE	60000859		•	•		•														
HEATING FLOW TUBE	60000981						•													
0552 BY-PASS PIPE	65104340		•	•	•	•														
0553 HEATING TUBE	60000846		•	•	•	•														
HEATING TUBE	60000853						•													
0554 HEATING TUBE	60000847		•	•	•	•														
0555 INLET PIPE	60000854		•	•	•	•														
0556 PIPE (SECONDARY RETURN)	60000849		•	•	•	•														
PIPE (SECONDARY RETURN)	60000855						•													
0560 CLIP D:10	65104260		•	•	•	•														
0562 CLIP D=18	65104259		•	•	•	•														
0563 CLIP	65104339		•	•	•	•														
0565 CLIP	60000309		•	•	•	•														
0566 CLIP	65105109		•	•	•	•														
0580 SHEET GASKET D: 13.9-10.4-1.5	60061853-02		•	•	•	•														
0581 O - RING (15.88X2.62)	65104337		•	•	•	•														
0582 O-RING D: 17.86-2.62	61308091		•	•	•	•														
0583 O - RING (15.54X2.62)	65104325		•	•	•	•														
0584 O-RING D: 11.91-2.62	60000850		•	•	•	•														
0585 O-RING 3,53X17,04	65104262		•	•	•	•														
0586 SHEET GASKET D: 11-5-1.5	60061853-07		•	•	•	•														
0587 O-RING D: 12.1-2.7	60024164-16		•	•	•	•														
0588 EXCHANGER GASKET	65104334		•	•	•	•														



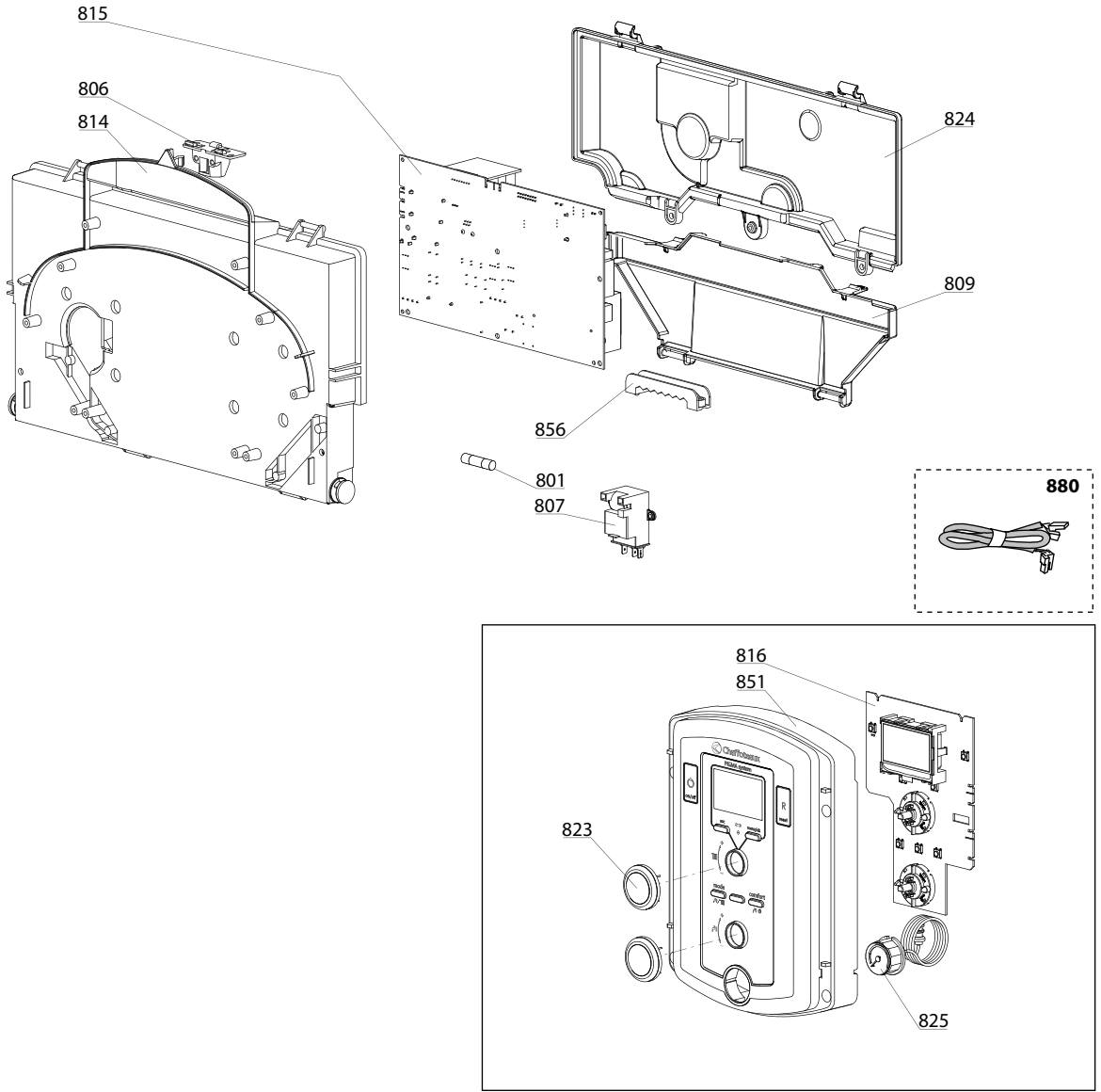


URBIA GREEN EVO 23  
 URBIA GREEN EVO 30  
 URBIA GREEN EVO 35  
 SERELIA GREEN EVO 23

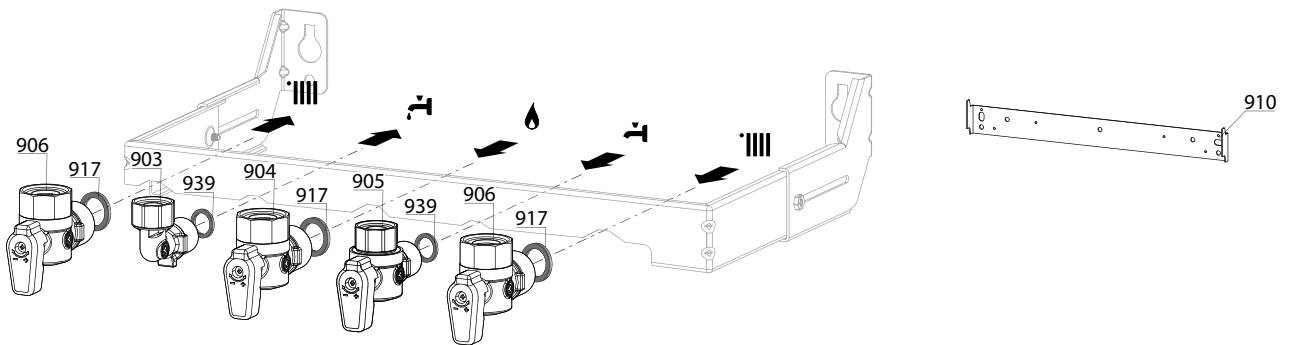
31

Description	Manf. Pt. N	Type																		
			1	2	3	4	5	6	7	8	9	10	11	12	13	14	15	16	17	18
<b>0600 RETURN GROUP</b>																				
0601 RETURN GROUP	60000845		•	•	•	•														
0602 LOW PRESSURE SWITCH	65105090		•	•	•	•														
0603 TEMPERATURE PROBE + CLIP	990686		•	•	•	•														
0604 PUMP 5M PWM	60001947		•	•	•	•														
0605 MOTOR - THREE-WAY VALVE	61302483-01		•	•	•	•														
0606 SENSOR (REED)	65104323		•	•	•	•														
0607 FLOW METER	60000870		•	•	•	•														
0610 MOTOR + SPRING 3 WAY VALVE KIT	60001583		•	•	•	•														
0611 PRESSURE RELIEF VALVE 7 BARS	60000171		•	•	•	•														
0612 PLUG	65104377		•	•	•	•														
0613 RIDUCTORS (KIT)	65104318		•	•	•	•														
0614 AUTO AIR VENT WITH O-RING	65104703		•	•	•	•														
0615 KIT DRAIN SCREW	60001385		•	•	•	•														
0616 WATER FILTER	60001372		•	•	•	•														
0617 GROMMET	61010109		•	•	•	•														
0619 CHECK VALVE CARTRIDGE	65105323		•	•	•	•														
0620 FILLING TAP KIT	65104324		•	•	•	•														
0650 PIPE (EXPANSION VESSEL)	60000851		•	•	•	•														
PIPE (EXPANSION VESSEL)	60000856						•													
0651 HEATING RETURN TUBE	60001928		•	•	•	•														
0660 CLIP D:10	65104260		•	•	•	•														
0661 CLIP	65104332		•	•	•	•														
0663 U-CLIP	65104704		•	•	•	•														
0664 CLIP	65104322		•	•	•	•														
0665 CLIP	65104331		•	•	•	•														
0666 CLIP	60000309		•	•	•	•														
0667 CLIP	65100680		•	•	•	•														
0668 CLIP	65104316		•	•	•	•														
0669 CLIP	65104339		•	•	•	•														
0680 GASKET 3/8	573521		•	•	•	•														
0681 O - RING (9.19X2.62)	65104313		•	•	•	•														
0682 O-RING 3,53X17,04	65104262		•	•	•	•														
0683 O - RING (23.47X2.62)	65104315		•	•	•	•														
0684 O-RING	65104705		•	•	•	•														
0685 O - RING (1.78X7.65)	65104329		•	•	•	•														
0686 O - RING (15.54X2.62)	65104325		•	•	•	•														
0687 O RING D: 5.7-1.9	61009834-10		•	•	•	•														
0688 O - RING (21.89X2.62)	65104320		•	•	•	•														
0689 O-RING 17,17X1,78	65104303		•	•	•	•														
0690 O-RING D: 8.9-2.7	61009834-14		•	•	•	•														
0691 O-RING D: 17.86-2.62	61308091		•	•	•	•														

800



900



5000

**5001**  
 Transf. gaz > GPL  
 Conv. gas > GPL  
 Trasn. gas > GPL  
 Transf. gas > GPL

**5002**  
 Transf. gaz > Nat  
 Conv. gas > Nat  
 Trasn. gas > Met  
 Transf. gas > Met

**5020**  
 Options  
 Accessories  
 Opzioni  
 Accessorio

URBIA GREEN EVO 23  
 URBIA GREEN EVO 30  
 URBIA GREEN EVO 35  
 SERELIA GREEN EVO 23

31

Description	Manf. Pt. N	Type	URBIA GREEN EVO 23 URBIA GREEN EVO 30 URBIA GREEN EVO 35 SERELIA GREEN EVO 23																	
			1	2	3	4	5	6	7	8	9	10	11	12	13	14	15	16	17	18
<b>0800 ELECTRICAL BOX</b>																				
0801 FUSE 250V 2A - TEMPORIZED	61003456		•	•	•	•														
0806 PUSH	65104228		•	•	•	•														
0807 IGNITER	60001871		•	•	•	•														
0809 INSPECTION COVER	60001618		•	•	•	•														
0814 CONTROL PANEL	60001616		•	•	•	•														
0815 PRINTED CIRCUIT BOARD	60001898		•	•	•	•														
0816 PRINTED CIRCUIT BOARD (DISPLAY)	60001906		•	•	•	•														
0823 PUSH BUTTON	60001932		•	•	•	•														
0824 CONTROL PANEL COVER (REAR)	60001617		•	•	•	•														
0825 PRESSURE GAUGE	60001907		•	•	•	•														
0851 FRONT CONTROL PANEL COMPLETE	60001909		•	•	•	•														
0856 CABLE CLAMP	65103377		•	•	•	•														
0880 ELECTRODE IGNITION CABLE	60000527		•	•	•	•														
DISPLAY WIRING	60000746		•	•	•	•														
FEEDER 240V	60001619		•	•	•	•														
FLOW METER CABLE - PRESS SENSOR CABLE	60001620		•	•	•	•														
THREE WAY VALVE CABLE	60001621		•	•	•	•														
GAS VALVE CABLE	60001622		•	•	•	•														
FAN CABLE	60001624		•	•	•	•														
HEAT SENSOR CYLINDER	60001882		•	•	•	•														
IONIZATION ELECTRODE CABLE	60001883		•	•	•	•														
NTC - GAS VALVE CABLE	60001885		•	•	•	•														
IGNITOR CABLE	60001894		•	•	•	•														
NTC PROBE - NTC EXCHANGER	60001901		•	•	•	•														
CONTACT SOCKET CONNECTOR 2 P.	60001903		•	•	•	•														
CONTACT SOCKET CONNECTOR 2 P.	60001904		•	•	•	•														
EARTH WIRE	65104286		•	•	•	•														
PUMP CABLE 1V ASK	60001887	ENER +	•	•	•	•														
<b>0900 JIG PLATE &amp; PIPE FITTING</b>																				
0903 HOT WATER CONNECTION	60000891		•	•	•	•														
0904 GAS SERVICE TAP	60000898		•	•	•	•														
0905 COLD WATER TAP	60000895		•	•	•	•														
0906 WATER FLOW & RETURN SERVI. TAP	60000885		•	•	•	•														
0910 WALL HOOK	60001077		•	•	•	•														
0917 SHEET GASKET D: 24-17-1.5	60061855-19		•	•	•	•														
0939 SHEET GASKET D: 16.5-11-1.5	60061854-14		•	•	•	•														

## LIST OF THE ABBREVIATIONS

HW .....	: Hot water.
CW .....	: Cold water.
C .....	: Ceramic resistance (normal heating).
Ca .....	: Ceramic resistance (accelerated heating)
TP .....	: Immersion heater.
1F .....	: With fittings.
2F .....	: Without fittings.
3F .....	: With fittings and another outlet connection.
AMI .....	: With mixing valve.
SMI .....	: Without mixing valve.
PUISS .....	: Power of th appliance.
PN .....	: Appliance with normal pression.
LP .....	: Appliance with low pression.
PV .....	: Appliance with variable power.
PF .....	: Appliance with fixed power.

## IDENTIFICATION PLATE

### SERIAL NUMBER

<b>10 Characters :</b>	04 05 125 011		
		Sequential number	
		Manufacturing day	
		Year of manufacture	
<b>11 Characters :</b>	1 95 065004 - 31		
Month of manufacture :		Technical number of the appliance	
from 1 to 9 → Jan. to Sep.,		Sequential number	
O → Oct., N → Nov.,		Year of manufacture	
D → Dec.			
<b>19 Characters :</b>	08 05 0013199 900640031		
Year of manufacture		Product reference	
Month of manufacture		Sequential number	
<b>20 Characters :</b>	3675007 XX 2 07 070 00315		
Product reference		Sequential number	
Millenium of manufacture		Manufacturing day	
		Year of manufacture	
<b>21 Characters :</b>	3675007 XX 07 070 0000315		
Product reference		Sequential number	
Year of manufacture		Manufacturing day	