

SPARE PARTS EXPLODED VIEW GAS WALL BOILERS

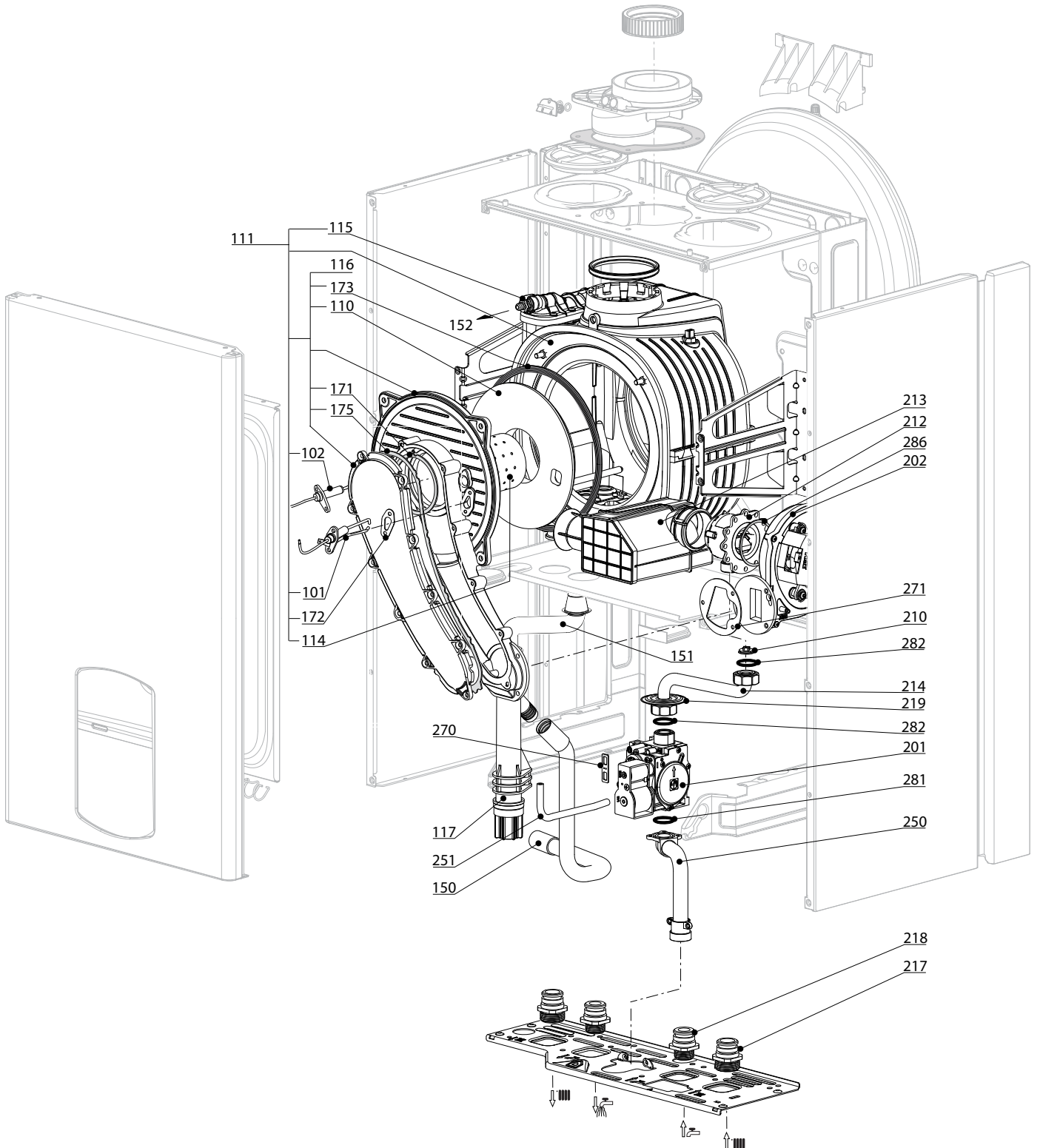
Model

TALIA GREEN EVO

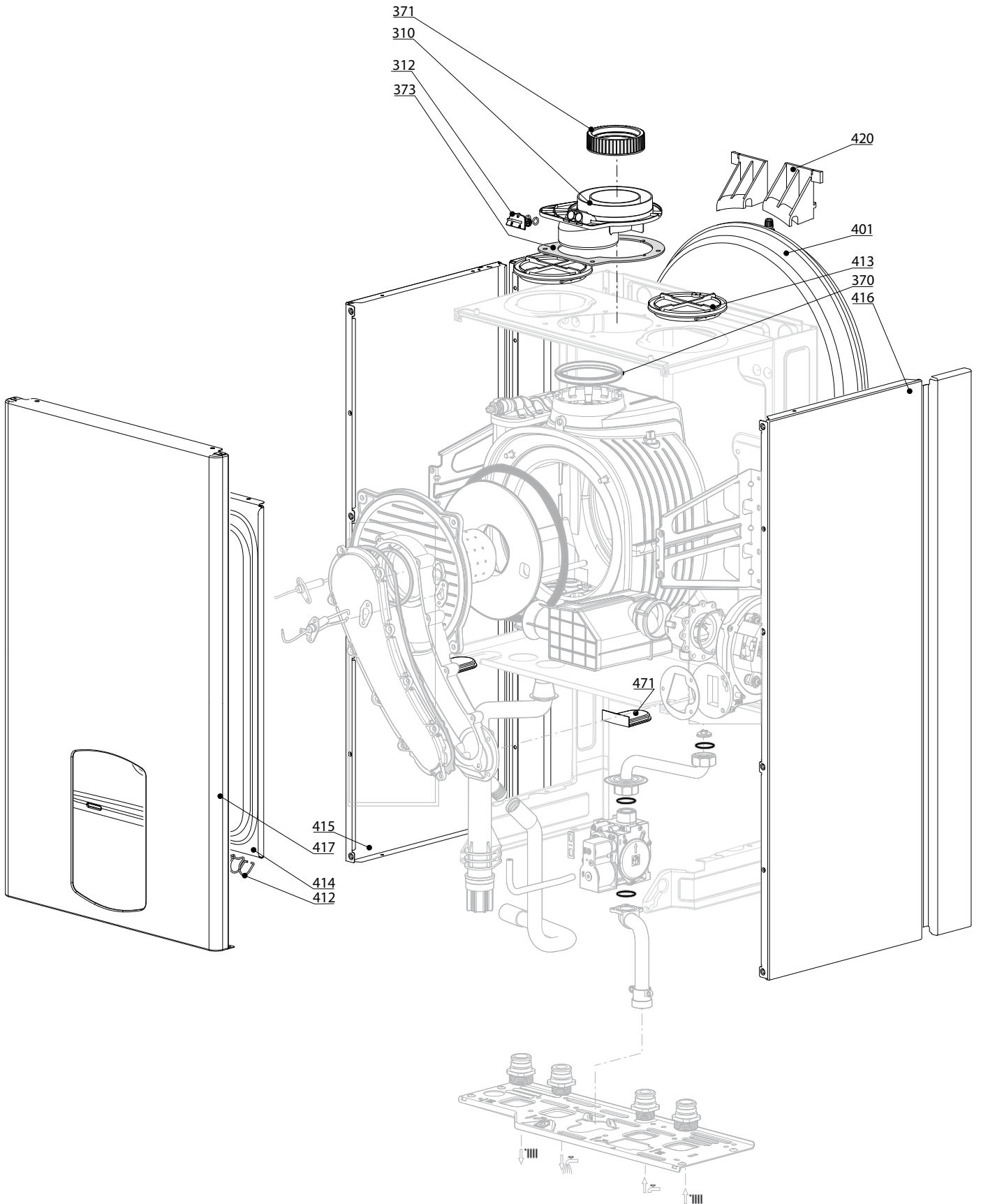
R8203326-03 - 27/09/2012

1	3310243	TALIA GREEN EVO SYSTEM 12
2	3310246	TALIA GREEN EVO SYSTEM 25
3	3310250	TALIA GREEN EVO SYSTEM 35

Col	Reference	Model type	Begin	End
-----	-----------	------------	-------	-----



☺	Description	Manf. Pt. N	Type	TALIA GREEN EVO 12 TALIA GREEN EVO 25 TALIA GREEN EVO 35																	
				1	2	3	4	5	6	7	8	9	10	11	12	13	14	15	16	17	18
0100	BURNER ASSEMBLY																				
0101	IGNITION ELECTRODE	60000868-01		•	•	•															
0102	IONIZATION ELECTRODE	60000867-01		•	•	•															
0110	INSULATION (FRONTAL)	60000297		•	•	•															
0111	EXCHANGER 35KW	65111607					•														
	EXCHANGER 18/24KW	65111608		•	•																
0114	BURNER 18/24KW	60000288-01		•	•																
	BURNER 35KW	60001913					•														
0115	AIR SEPARATOR	60000994		•	•	•															
0116	DOOR ASSY	65111604		•	•	•															
0117	TRAP	60000987		•	•	•															
0150	TUBE PVC D:19 L:500	60000976		•	•	•															
0151	OUTGOING CONDENSATION TUBE	60001929		•	•	•															
0152	SILICONE TUBE D: 8x1 L: 0.15M	60001013		•	•	•															
0171	GASKET D:80.6-1.8	60001610		•	•	•															
0172	ELECTRODE GASKET	60000286-01		•	•	•															
0173	DOOR GASKET	60000623		•	•	•															
0175	GASKET	60001609		•	•	•															
0200	GAS SECTION																				
0201	GAS VALVE	60001612		•	•	•															
0202	FAN ASSY	60001869		•	•	•															
0210	GAS RESTRICTOR D: 3.80	60001920	MET	•																	
	GAS RESTRICTOR D: 6.40	60001923	MET		•																
	GAS RESTRICTOR D: 7.50	60001925	MET				•														
0212	VENTURI D: 24MM	60001915					•														
	VENTURI D: 28MM	60001917						•													
	VENTURI D: 14MM	60001918		•																	
0213	SILENCER	60001926						•	•												
	SILENCER	65111609		•																	
0214	GAS TUBE 24 KW	60001934					•														
	GAS TUBE 35 KW	60001936						•													
	GAS TUBE 24 KW	60001937		•																	
0217	UNION (3/4)	65104326		•	•	•															
0218	UNION (1/2)	65104327		•	•	•															
0219	GROMMET	61010109		•	•	•															
0250	GAS TUBE	60000720		•	•	•															
0251	SILICONE PIPE	60001613		•	•	•															
0270	GASKET (SPARK GENERATOR)	574279		•	•	•															
0271	GASKET	60001931		•	•	•															
0281	O-RING 22,22X2,62	65104304		•	•	•															
0282	SHEET GASKET D: 24-18.2-1.5	60022835-01		•	•	•															
0286	GASKET	60001878		•	•	•															



TALIA GREEN EVO 12
 TALIA GREEN EVO 26
 TALIA GREEN EVO 35

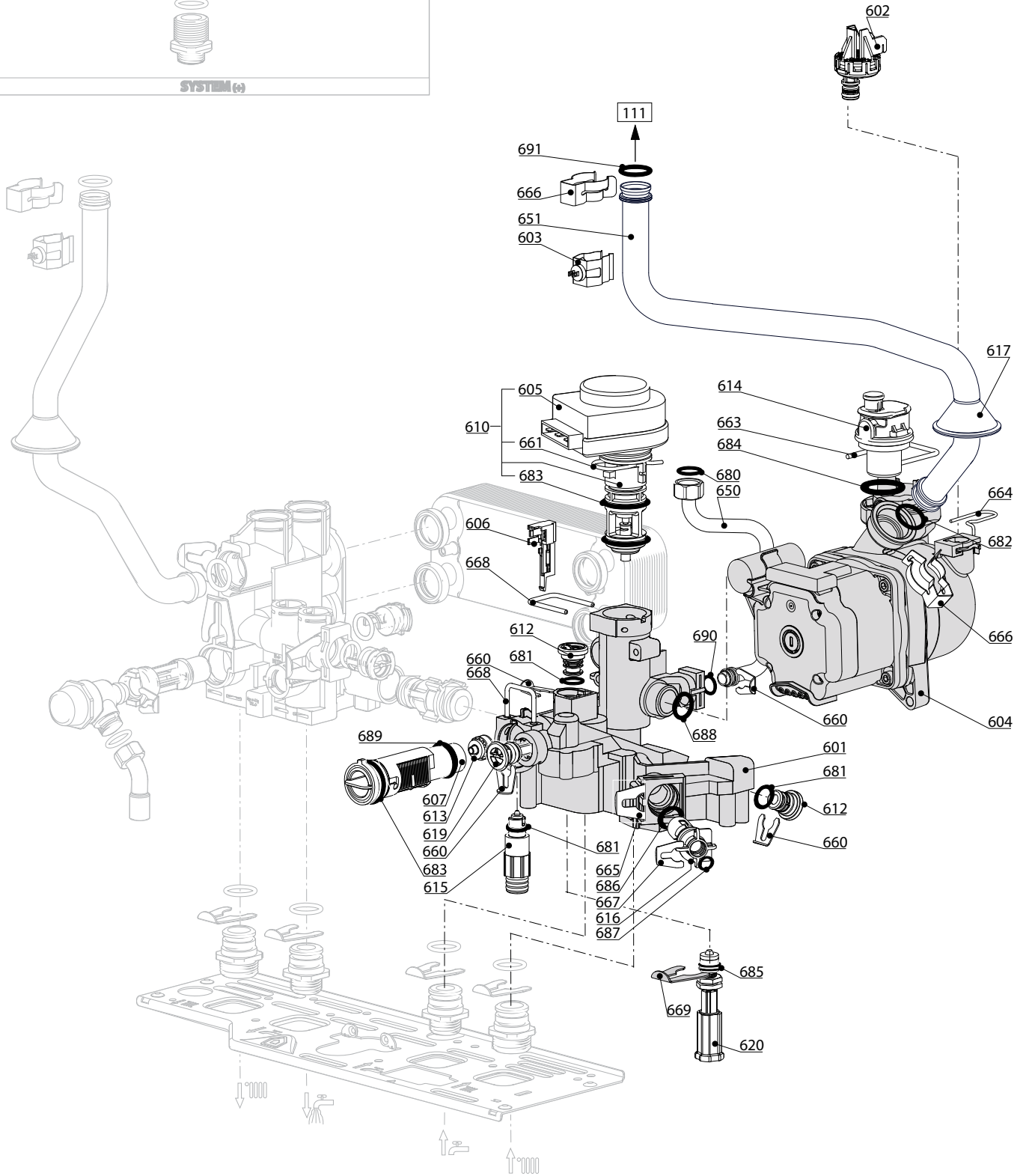
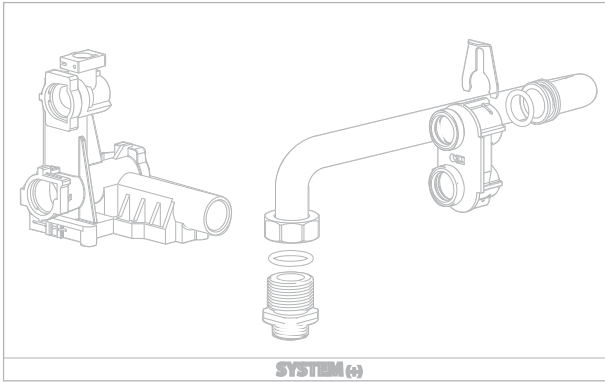
31

Description	Manf. Pt. N	Type																		
			1	2	3	4	5	6	7	8	9	10	11	12	13	14	15	16	17	18
0300 FAN ASSEMBLY																				
0310 BI FLUX CONNECTION	60000523		•	•	•															
0312 FLUE INTAKE PLUG	65104295		•	•	•															
0370 SEALING RING 80mm	60000315		•	•	•															
0371 GASKET	60000316		•	•	•															
0373 GASKET	60000317		•	•	•															
0400 SEALED CASE																				
0401 EXPANSION VESSEL	65104261		•	•	•															
0412 SPRING FRONT PANEL (KIT)	65104298		•	•	•															
0413 AIR RETURN COVER	65104249		•	•	•															
0414 PANEL (FRONT - SEALED CHAMBER)	65105679		•	•	•															
0415 SIDE PANELS LEFT + RIGHT	65111885		•	•																
SIDE PANELS LEFT + RIGHT	65111900					•														
0417 CASE PANEL (FRONT)	60000719		•	•	•															
0420 EXPANSION VESSEL SUPPORT	65104696		•	•	•															
0470 CABLE INLET RUBBER WASHER	60000540		•	•	•															
0471 CABLE INLET RUBBER WASHER	60000541		•	•	•															

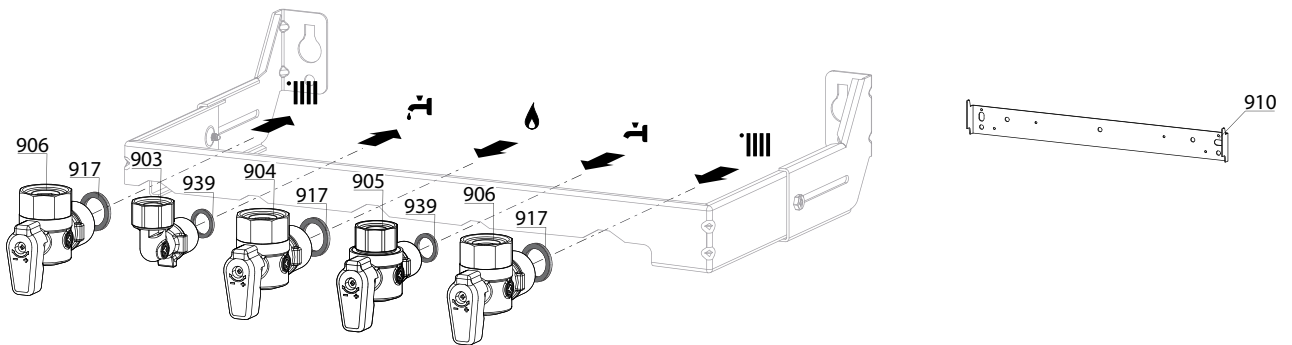
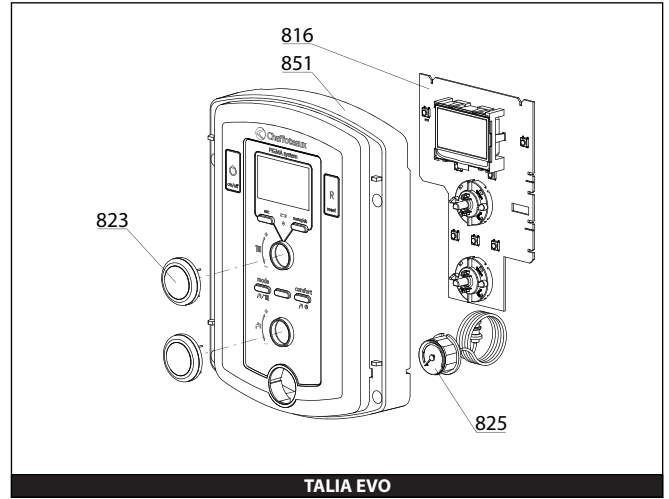
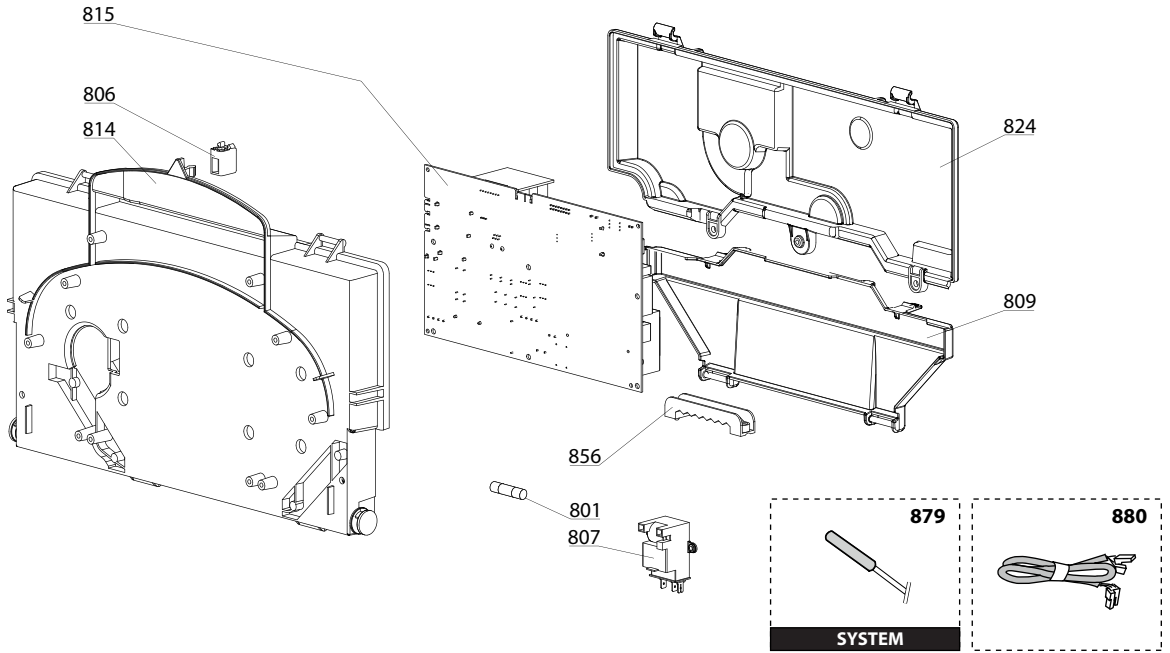
TALIA GREEN EVO 12
 TALIA GREEN EVO 25
 TALIA GREEN EVO 35

31

Description	Manf. Pt. N	Type																		
			1	2	3	4	5	6	7	8	9	10	11	12	13	14	15	16	17	18
0500 FLOW GROUP																				
0501 FLOW GROUP	60000872		•	•	•															
0502 TEMPERATURE PROBE + CLIP	990686		•	•	•															
0503 PRESSURE RELIEF VALVE 3 BAR	61312668		•	•	•															
0512 PLUG	65104445		•	•	•															
0513 GROMMET	61010109		•	•	•															
0514 BY-PASS	65104336		•	•	•															
0519 INTERFACE 'System +' Open	60001365	SYST+	•	•	•															
0520 UNION (3/4-1/2)	60001367		•	•	•															
0521 HYDRAULIC GROUP SUPPORT	60001375		•	•	•															
0550 PIPE (SAFETY VALVE)	65104447		•	•	•															
0551 HEATING FLOW TUBE	60000859				•															
HEATING FLOW TUBE	60000981					•														
HEATING FLOW TUBE	60001590		•																	
0552 BY-PASS PIPE	65104340		•	•	•															
0557 TUBO SYSTEM	60001366		•	•	•															
0560 CLIP D:10	65104260		•	•	•															
0562 CLIP D=18	65104259		•	•	•															
0565 CLIP	60000309		•	•	•															
0580 SHEET GASKET D: 13.9-10.4-1.5	60061853-02		•	•	•															
0581 O - RING (15.88X2.62)	65104337		•	•	•															
0582 O-RING D: 17.86-2.62	61308091		•	•	•															
0583 O - RING (15.54X2.62)	65104325		•	•	•															
0585 O-RING 3,53X17,04	65104262		•	•	•															
0588 EXCHANGER GASKET	65104334		•	•	•															
0589 SHEET GASKET D: 24-14-1.5	60061855-17		•	•	•															



☉➔	Description	Manf. Pt. N	Type	TALIA GREEN EVO 12 TALIA GREEN EVO 25 TALIA GREEN EVO 35																	
				1	2	3	4	5	6	7	8	9	10	11	12	13	14	15	16	17	18
0600	RETURN GROUP																				
0601	RETURN GROUP	60000845		●	●	●															
0602	LOW PRESSURE SWITCH	65105090		●	●	●															
0603	TEMPERATURE PROBE + CLIP	990686		●	●	●															
0604	PUMP 5M PWM	60001947		●	●	●															
0605	MOTOR - THREE-WAY VALVE	61302483-01		●	●	●															
0607	D.H.W. PLUG	60000902		●	●	●															
0610	MOTOR + SPRING 3 WAY VALVE KIT	60001583		●	●	●															
0612	PLUG	65104377		●	●	●															
0613	RIDUCTORS (KIT)	65104318		●	●	●															
0614	AUTO AIR VENT	65112086		●	●	●															
0615	KIT DRAIN SCREW	60001385		●	●	●															
0616	WATER FILTER	60001372		●	●	●															
0617	GROMMET	61010109		●	●	●															
0619	CHECK VALVE CARTRIDGE	65105323		●	●	●															
0620	FILLING TAP KIT	65104324		●	●	●															
0650	PIPE (EXPANSION VESSEL)	60000718		●	●	●															
0651	HEATING RETURN TUBE	60001928		●	●	●															
0660	CLIP D:10	65104260		●	●	●															
0661	CLIP	65104332		●	●	●															
0663	U-CLIP	65104704		●	●	●															
0664	CLIP	65104322		●	●	●															
0665	CLIP	65104331		●	●	●															
0666	CLIP	60000309		●	●	●															
0667	CLIP	65100680		●	●	●															
0668	CLIP	65104316		●	●	●															
0669	CLIP	65104339		●	●	●															
0680	GASKET 3/8	573521		●	●	●															
0681	O - RING (9.19X2.62)	65104313		●	●	●															
0682	O-RING 3,53X17,04	65104262		●	●	●															
0683	O - RING (23.47X2.62)	65104315		●	●	●															
0684	O-RING	65104705		●	●	●															
0685	O - RING (1.78X7.65)	65104329		●	●	●															
0686	O - RING (15.54X2.62)	65104325		●	●	●															
0687	O RING D: 5.7-1.9	61009834-10		●	●	●															
0688	O - RING (21.89X2.62)	65104320		●	●	●															
0689	O-RING 17,17X1,78	65104303		●	●	●															
0690	O-RING D: 8.9-2.7	61009834-14		●	●	●															
0691	O-RING D: 17.86-2.62	61308091		●	●	●															



5000

5001
 Transf. gaz > GPL
 Conv. gas > GPL
 Trasn. gas > GPL
 Transf. gas > GPL

5002
 Transf. gaz > Nat
 Conv. gas > Nat
 Trasn. gas > Met
 Transf. gas > Met

5020
 Options
 Accessories
 Opzioni
 Accessorio

☉⇒	Description	Manf. Pt. N	Type	TALIA GREEN EVO 12 TALIA GREEN EVO 25 TALIA GREEN EVO 35																	
				1	2	3	4	5	6	7	8	9	10	11	12	13	14	15	16	17	18
0800	ELECTRICAL BOX																				
0801	FUSE 250V 2A - TEMPORIZED	61003456		•	•	•															
0806	PUSH	65104228		•	•	•															
0807	IGNITER	60001871		•	•	•															
0809	INSPECTION COVER	60001618		•	•	•															
0814	CONTROL PANEL	60001616		•	•	•															
0815	PRINTED CIRCUIT BOARD	60001898		•	•	•															
0816	PRINTED CIRCUIT BOARD (DISPLAY)	60001906		•	•	•															
0823	PUSH BUTTON	60001932		•	•	•															
0824	CONTROL PANEL COVER (REAR)	60001617		•	•	•															
0825	PRESSURE GAUGE	60001907		•	•	•															
0851	FRONT CONTROL PANEL COMPLETE	60001909		•	•	•															
0856	CABLE CLAMP	65103377		•	•	•															
0879	BOILER THERMISTOR TEMP. SENSOR	60000454		•	•	•															
0880	ELECTRODE IGNITION CABLE	60000527		•	•	•															
	DISPLAY WIRING	60000746		•	•	•															
	FEEDER 240V	60001619		•	•	•															
	FLOW METER CABLE - PRESSURE SENSOR	60001620		•	•	•															
	THREE WAY VALVE CABLE	60001621		•	•	•															
	GAS VALVE CABLE	60001622		•	•	•															
	FAN CABLE	60001624		•	•	•															
	IONIZATION ELECTRODE CABLE	60001883		•	•	•															
	IGNITOR CABLE	60001894		•	•	•															
	NTC PROBE - NTC EXCHANGER	60001901		•	•	•															
	CONTACT SOCKET CONNECTOR 2 P.	60001903		•	•	•															
	CONTACT SOCKET CONNECTOR 2 P.	60001904		•	•	•															
	EARTH WIRE	65104286		•	•	•															
	PUMP CABLE 1V ASK	60001887	ENER +	•	•	•															
0900	JIG PLATE & PIPE FITTING																				
0903	HOT WATER CONNECTION	60000891		•	•	•															
0904	GAS SERVICE TAP	60000898		•	•	•															
	UNION	65105631		•	•	•															
0905	COLD WATER TAP	60000895		•	•	•															
0906	WATER FLOW & RETURN SERVI. TAP	60000885		•	•	•															
0910	WALL HOOK	60000852		•	•	•															
0917	SHEET GASKET D: 24-17-1.5	60061855-19		•	•	•															
0939	SHEET GASKET D: 16.5-11-1.5	60061854-14		•	•	•															
5000	ACCESSORIES																				
5001	BURNER JET FULL KIT (LPG 24kw)	60001943				•															
	BURNER JET FULL KIT (LPG)	60001946				•															

LIST OF THE ABBREVIATIONS

HW	: Hot water.
CW	: Cold water.
C	: Ceramic resistance (normal heating).
Ca	: Ceramic resistance (accelerated heating)
TP	: Immersion heater.
1F	: With fittings.
2F	: Without fittings.
3F	: With fittings and another outlet connection.
AMI	: With mixing valve.
SMI	: Without mixing valve.
PUISS	: Power of th appliance.
PN	: Appliance with normal pression.
LP	: Appliance with low pression.
PV	: Appliance with variable power.
PF	: Appliance with fixed power.

IDENTIFICATION PLATE

SERIAL NUMBER

10 Characters :

04 05 125 011
 Year of manufacture Manufacturing day Sequential number

11 Characters :

1 95 065004 - 31
 Month of manufacture : Technical number of the appliance
 from 1 to 9 → Jan. to Sep.,
 O → Oct., N → Nov.,
 D → Dec. Sequential number
 Year of manufacture

19 Characters :

08 05 0013199 900640031
 Year of manufacture Product reference
 Month of manufacture Sequential number

20 Characters :

3675007 XX 2 07 070 00315
 Product reference Sequential number
 Millenium of manufacture Manufacturing day
 Year of manufacture

21 Characters :

3675007 XX 07 070 0000315
 Product reference Sequential number
 Year of manufacture Manufacturing day