

SPARE PARTS EXPLODED VIEW GAS WALL BOILERS

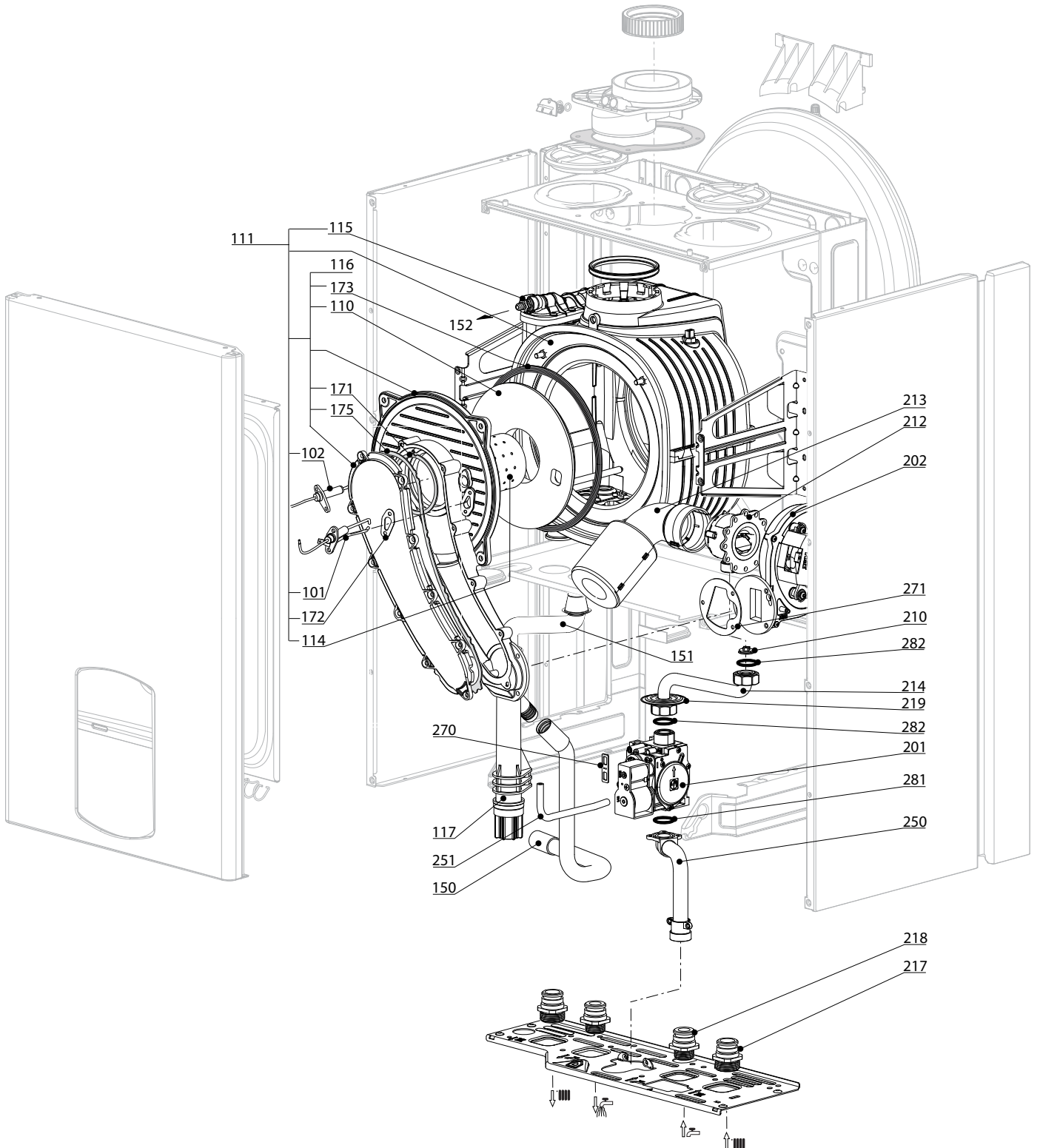
Model

PIGMA GREEN EVO

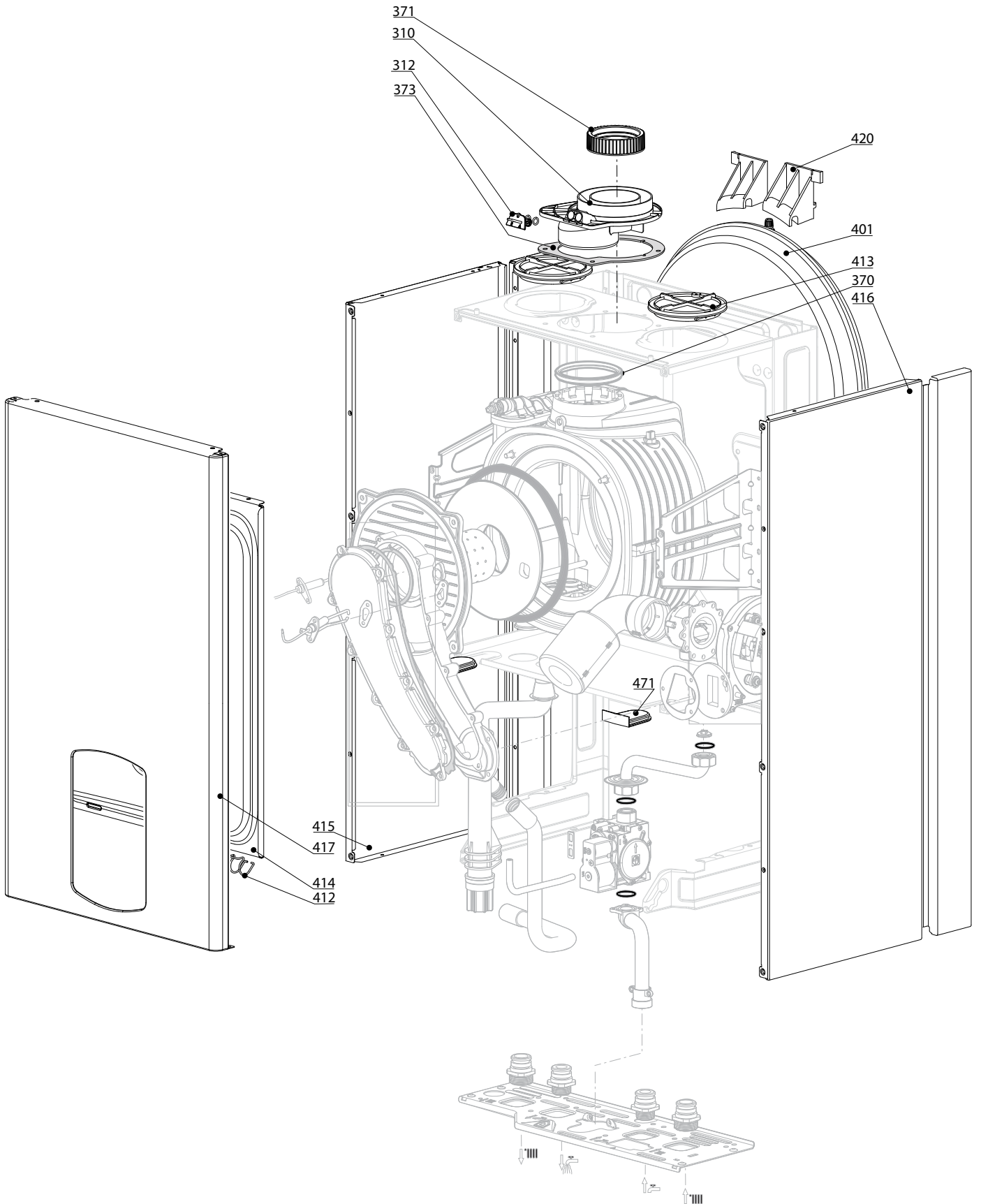
R8203327-01 - 21/05/2012

1	3310224	PIGMA GREEN EVO 25	05-2012
2	3310226	PIGMA GREEN EVO 30	05-2012
3	3310232	PIGMA GREEN EVO 35	05-2012

Col	Reference	Model type	Begin	End
-----	-----------	------------	-------	-----



☺	Description	Manf. Pt. N	Type	<div style="display: flex; justify-content: space-between; align-items: center;"> <div style="transform: rotate(-45deg); font-size: small;"> PIGMA GREEN EVO 25 PIGMA GREEN EVO 30 PIGMA GREEN EVO 35 </div> <div style="border: 1px solid black; padding: 2px;">31</div> </div>																	
				1	2	3	4	5	6	7	8	9	10	11	12	13	14	15	16	17	18
0100	BURNER ASSEMBLY																				
0101	IGNITION ELECTRODE	60000868-01		•	•	•															
0102	IONIZATION ELECTRODE	60000867-01		•	•	•															
0110	INSULATION (FRONTAL)	60000297		•	•	•															
0111	EXCHANGER 30KW	65111606			•																
	EXCHANGER 35KW	65111607					•														
	EXCHANGER 18/24KW	65111608		•																	
0114	BURNER 18/24KW	60000288-01		•																	
	BURNER 30KW	60001912				•															
	BURNER 35KW	60001913					•														
0115	AIR SEPARATOR	60000994		•	•	•															
0116	DOOR ASSY	65111604		•	•	•															
0117	TRAP	60000987		•	•	•															
0150	TUBE PVC D:19 L:500	60000976		•	•	•															
0151	OUTGOING CONDENSATION TUBE	60001929		•	•	•															
0152	SILICONE TUBE D: 8x1 L: 0.15M	60001013		•	•	•															
0171	GASKET D:80.6-1.8	60001610		•	•	•															
0172	ELECTRODE GASKET	60000286-01		•	•	•															
0173	DOOR GASKET	60000623		•	•	•															
0175	GASKET	60001609		•	•	•															
0200	GAS SECTION																				
0201	GAS VALVE	60001612		•	•	•															
0202	FAN ASSY	60001869		•	•	•															
0210	GAS RESTRICTOR D: 5.00	60001921	MET	•																	
	GAS RESTRICTOR D: 6.60	60001922	MET				•														
	GAS RESTRICTOR D: 5.70	60001940	MET				•														
0212	VENTURI D: 21MM	60001919					•														
	VENTURI D: 17MM	60001941					•														
	VENTURI D: 25MM	60001942							•												
0213	SILENCER	65111609		•	•	•															
0214	GAS TUBE 24 KW	60001937		•																	
	GAS TUBE 30 KW	60001938					•														
	GAS TUBE 35 KW	60001939																			
0217	UNION (3/4)	65104326		•	•	•															
0218	UNION (1/2)	65104327		•	•	•															
0219	GROMMET	61010109		•	•	•															
0250	GAS TUBE	60000720		•	•	•															
0251	SILICONE PIPE	60001613		•	•	•															
0270	GASKET (SPARK GENERATOR)	574279		•	•	•															
0271	GASKET	60001931		•	•	•															
0281	O-RING 22,22X2,62	65104304		•	•	•															
0282	SHEET GASKET D: 24-18.2-1.5	60022835-01		•	•	•															



PIGMA GREEN EVO 25
 PIGMA GREEN EVO 30
 PIGMA GREEN EVO 35

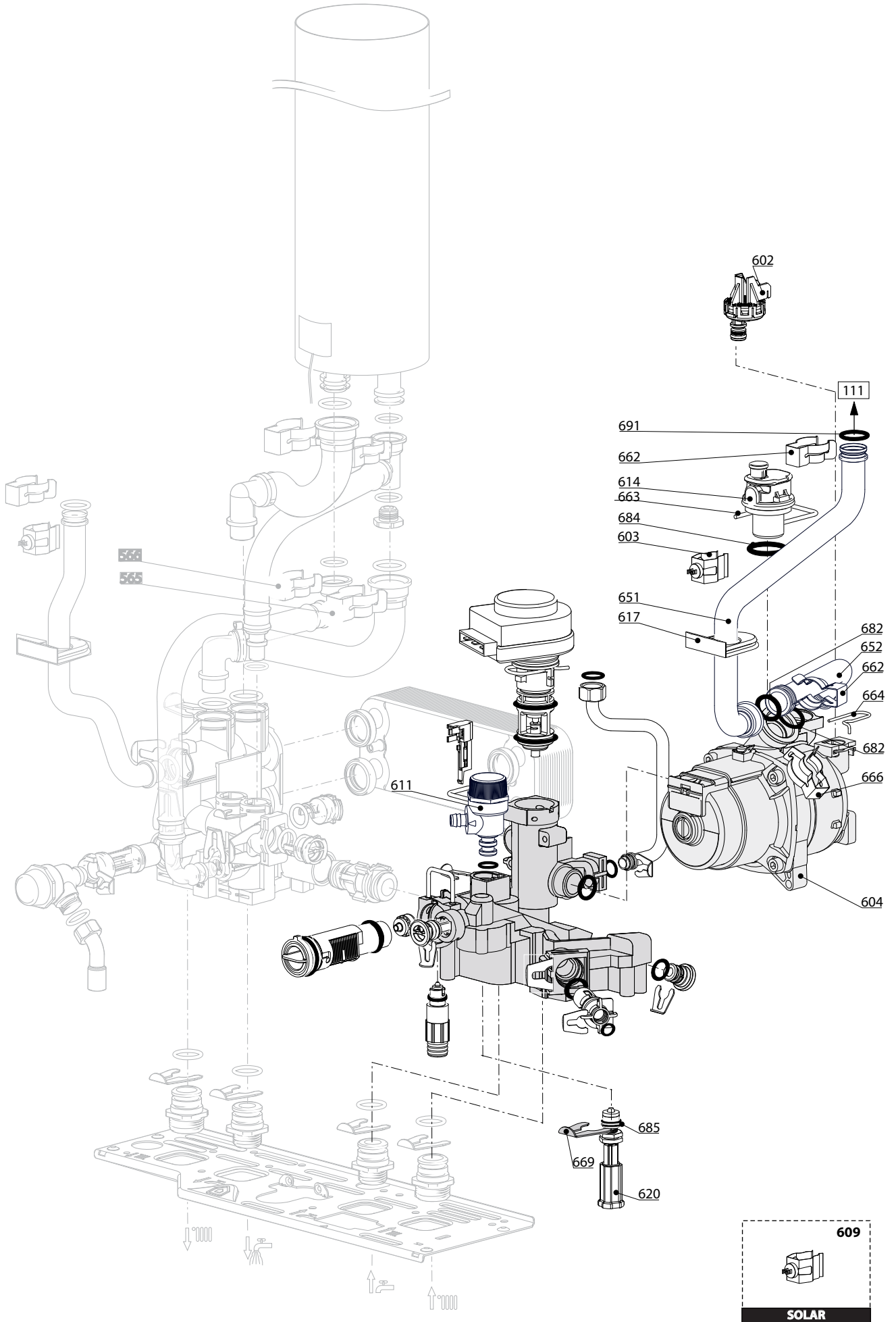
31

Description	Manf. Pt. N	Type																		
			1	2	3	4	5	6	7	8	9	10	11	12	13	14	15	16	17	18
0300 FAN ASSEMBLY																				
0310 BI FLUX CONNECTION	60000523		•	•	•															
0312 FLUE INTAKE PLUG	65104295		•	•	•															
0370 SEALING RING 80mm	60000315		•	•	•															
0371 GASKET	60000316		•	•	•															
0373 GASKET	60000317		•	•	•															
0400 SEALED CASE																				
0401 EXPANSION VESSEL	65104261		•	•	•															
0412 SPRING FRONT PANEL (KIT)	65104298		•	•	•															
0413 AIR RETURN COVER	65104249		•	•	•															
0414 PANEL (FRONT - SEALED CHAMBER)	65105678		•	•	•															
0415 SIDE PANELS LEFT + RIGHT	65111885		•																	
SIDE PANELS LEFT + RIGHT	65111900			•	•															
0417 CASE PANEL (FRONT)	60000983		•	•	•															
0420 EXPANSION VESSEL SUPPORT	65104696		•	•	•															
0470 CABLE INLET RUBBER WASHER	60000540		•	•	•															
0471 CABLE INLET RUBBER WASHER	60000541		•	•	•															

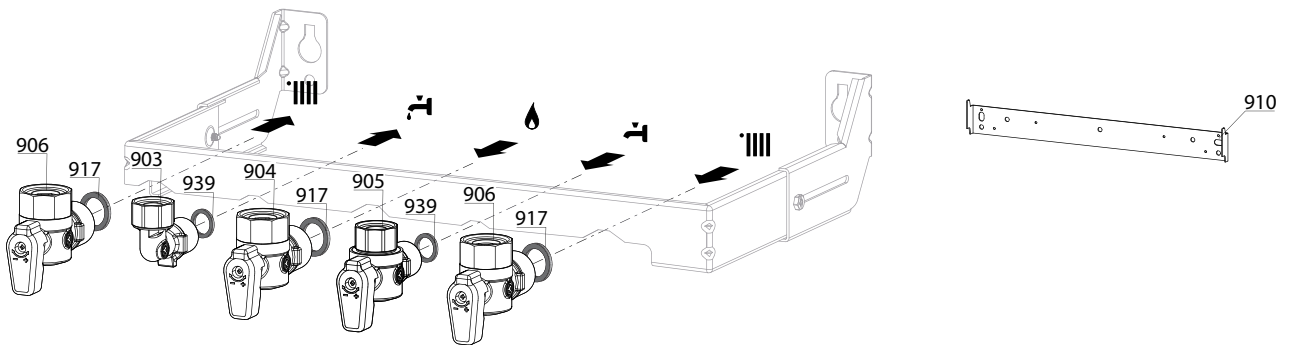
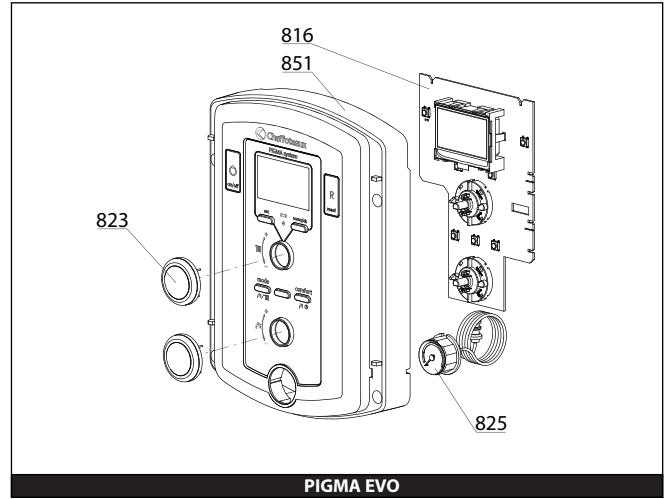
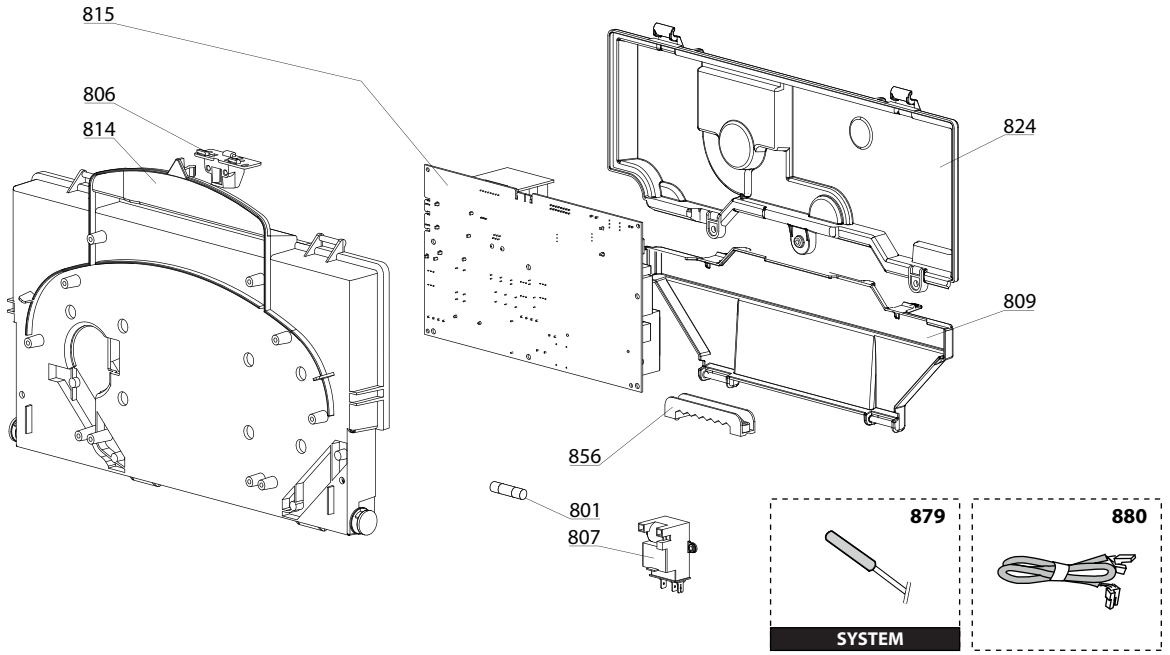
PIGMA GREEN EVO 25
 PIGMA GREEN EVO 30
 PIGMA GREEN EVO 35

31

Description	Manf. Pt. N	Type																		
			1	2	3	4	5	6	7	8	9	10	11	12	13	14	15	16	17	18
0500 FLOW GROUP																				
0501 FLOW GROUP	60000844		•	•	•															
0502 TEMPERATURE PROBE + CLIP	990686		•	•	•															
0503 PRESSURE RELIEF VALVE 3 BAR	61312668		•	•	•															
0507 WATER / WATER HEAT EXCHANGER 16	65104333		•	•	•															
0512 PLUG	65104445		•	•	•															
0513 GROMMET	61010109		•	•	•															
0514 BY-PASS	65104336		•	•	•															
0521 HYDRAULIC GROUP SUPPORT	60001375		•	•	•															
0550 PIPE (SAFETY VALVE)	65104447		•	•	•															
0551 HEATING FLOW TUBE	60000859		•	•																
HEATING FLOW TUBE	60000981					•														
0552 BY-PASS PIPE	65104340		•	•	•															
0560 CLIP D:10	65104260		•	•	•															
0562 CLIP D=18	65104259		•	•	•															
0565 CLIP	60000309		•	•	•															
0580 SHEET GASKET D: 13.9-10.4-1.5	60061853-02		•	•	•															
0581 O - RING (15.88X2.62)	65104337		•	•	•															
0582 O-RING D: 17.86-2.62	61308091		•	•	•															
0583 O - RING (15.54X2.62)	65104325		•	•	•															
0585 O-RING 3,53X17,04	65104262		•	•	•															
0588 EXCHANGER GASKET	65104334		•	•	•															



☉⇒	Description	Manf. Pt. N	Type	<div style="display: flex; justify-content: space-between; align-items: center;"> <div style="transform: rotate(-45deg); font-size: small;"> PIGMA GREEN EVO 25 PIGMA GREEN EVO 30 PIGMA GREEN EVO 35 </div> <div style="border: 1px solid black; padding: 2px;">31</div> </div>																	
				1	2	3	4	5	6	7	8	9	10	11	12	13	14	15	16	17	18
0600	RETURN GROUP																				
0601	RETURN GROUP	60000845		•	•	•															
0602	LOW PRESSURE SWITCH	65105090		•	•	•															
0603	TEMPERATURE PROBE + CLIP	990686		•	•	•															
0604	PUMP 6M 2V	60000591			•	•															
	PUMP 5M 2V	65104319		•																	
0605	MOTOR - THREE-WAY VALVE	61302483-01		•	•	•															
0606	SENSOR (REED)	65104323		•	•	•															
0607	FLOW METER	60000870		•	•	•															
0609	TEMPERATURE PROBE + CLIP	65105079		•	•	•															
0610	MOTOR + SPRING 3 WAY VALVE KIT	60001583		•	•	•															
0612	PLUG	65104377		•	•	•															
0613	RIDUCTORS (KIT)	65104318		•	•	•															
0614	AUTO AIR VENT WITH O-RING	65104703		•	•	•															
0615	KIT DRAIN SCREW	60001385		•	•	•															
0616	WATER FILTER	60001372		•	•	•															
0617	GROMMET	61010109		•	•	•															
0619	CHECK VALVE CARTRIDGE	65105323		•	•	•															
0620	FILLING TAP KIT	65104324		•	•	•															
0650	PIPE (EXPANSION VESSEL)	60000718		•	•	•															
0651	HEATING RETURN TUBE	60001928		•	•	•															
0660	CLIP D:10	65104260		•	•	•															
0661	CLIP	65104332		•	•	•															
0663	U-CLIP	65104704		•	•	•															
0664	CLIP	65104322		•	•	•															
0665	CLIP	65104331		•	•	•															
0666	CLIP	60000309		•	•	•															
0667	CLIP	65100680		•	•	•															
0668	CLIP	65104316		•	•	•															
0669	CLIP	65104339		•	•	•															
0680	GASKET 3/8	573521		•	•	•															
0681	O - RING (9.19X2.62)	65104313		•	•	•															
0682	O-RING 3,53X17,04	65104262		•	•	•															
0683	O - RING (23.47X2.62)	65104315		•	•	•															
0684	O-RING	65104705		•	•	•															
0685	O - RING (1.78X8.74)	65104329		•	•	•															
0686	O - RING (15.54X2.62)	65104325		•	•	•															
0687	O RING D: 5.7-1.9	61009834-10		•	•	•															
0688	O - RING (21.89X2.62)	65104320		•	•	•															
0689	O-RING 17,17X1,78	65104303		•	•	•															
0690	O-RING D: 8.9-2.7	61009834-14		•	•	•															
0691	O-RING D: 17.86-2.62	61308091		•	•	•															



5000

5001
 Transf. gaz > GPL
 Conv. gas > GPL
 Trasn. gas > GPL
 Transf. gas > GPL

5002
 Transf. gaz > Nat
 Conv. gas > Nat
 Trasn. gas > Met
 Transf. gas > Met

5020
 Options
 Accessories
 Opzioni
 Accessorio

PIGMA GREEN EVO 25
 PIGMA GREEN EVO 30
 PIGMA GREEN EVO 35

31

Description	Manf. Pt. N	Type																		
			1	2	3	4	5	6	7	8	9	10	11	12	13	14	15	16	17	18
0800 ELECTRICAL BOX																				
0801 FUSE 250V 2A - TEMPORIZED	61003456		•	•	•															
0806 PUSH	65104228		•	•	•															
0807 IGNITER	60001871		•	•	•															
0809 INSPECTION COVER	60001618		•	•	•															
0814 CONTROL PANEL	60001616		•	•	•															
0815 PRINTED CIRCUIT BOARD	60001899		•	•	•															
0816 PRINTED CIRCUIT BOARD (DISPLAY)	60001906		•	•	•															
0823 PUSH BUTTON	60001932		•	•	•															
0824 CONTROL PANEL COVER (REAR)	60001617		•	•	•															
0825 PRESSURE GAUGE	60001907		•	•	•															
0851 FRONT CONTROL PANEL COMPLETE	60001909		•	•	•															
0856 CABLE CLAMP	65103377		•	•	•															
0879 SOLAR SENSOR CABLE	60001886		•	•	•															
0880 ELECTRODE IGNITION CABLE	60000527		•	•	•															
DISPLAY WIRING	60000746		•	•	•															
FEEDER 240V	60001619		•	•	•															
FLOW METER CABLE - PRES SENSOR CABLE	60001620		•	•	•															
THREE WAY VALVE CABLE	60001621		•	•	•															
GAS VALVE CABLE	60001622		•	•	•															
FAN CABLE	60001624		•	•	•															
IONIZATION ELECTRODE CABLE	60001883		•	•	•															
IGNITOR CABLE	60001894		•	•	•															
NTC PROBE - NTC EXCHANGER	60001901		•	•	•															
CONTACT SOCKET CONNECTOR 2 P.	60001903		•	•	•															
CONTACT SOCKET CONNECTOR 2 P.	60001904		•	•	•															
EARTH WIRE	65104286		•	•	•															
PUMP 2V CABLE 5M	65104520	WILO	•																	
PUMP 2V CABLE 6M	65109585	WILO	•	•																
0900 JIG PLATE & PIPE FITTING																				
0903 HOT WATER CONNECTION	60000891		•	•	•															
0904 GAS SERVICE TAP	60000898		•	•	•															
UNION	65105631		•	•	•															
0905 COLD WATER TAP	60000895		•	•	•															
0906 WATER FLOW & RETURN SERVI. TAP	60000885		•	•	•															
0910 WALL HOOK	60000625		•	•	•															
0917 SHEET GASKET D: 24-17-1.5	60061855-19		•	•	•															
0939 SHEET GASKET D: 16.5-11-1.5	60061854-14		•	•	•															
5000 ACCESSORIES																				
5001 BURNER JET FULL KIT (LPG)	60001946		•	•	•															

LIST OF THE ABBREVIATIONS

HW	: Hot water.
CW	: Cold water.
C	: Ceramic resistance (normal heating).
Ca	: Ceramic resistance (accelerated heating)
TP	: Immersion heater.
1F	: With fittings.
2F	: Without fittings.
3F	: With fittings and another outlet connection.
AMI	: With mixing valve.
SMI	: Without mixing valve.
PUISS	: Power of th appliance.
PN	: Appliance with normal pression.
LP	: Appliance with low pression.
PV	: Appliance with variable power.
PF	: Appliance with fixed power.

IDENTIFICATION PLATE

SERIAL NUMBER

10 Characters :	04 05 125 011		
		Sequential number	
		Manufacturing day	
		Year of manufacture	
11 Characters :	1 95 065004 - 31		
Month of manufacture :		Technical number of the appliance	
from 1 to 9 → Jan. to Sep.,		Sequential number	
O → Oct., N → Nov.,		Year of manufacture	
D → Dec.			
19 Characters :	08 05 0013199 900640031		
Year of manufacture		Product reference	
Month of manufacture		Sequential number	
20 Characters :	3675007 XX 2 07 070 00315		
Product reference		Sequential number	
Millenium of manufacture		Manufacturing day	
		Year of manufacture	
21 Characters :	3675007 XX 07 070 0000315		
Product reference		Sequential number	
Year of manufacture		Manufacturing day	