



**CHAFFOTEAUX
& MAURY**

SPARE PARTS EXPLODED VIEW GAS WALL BOILERS

Model

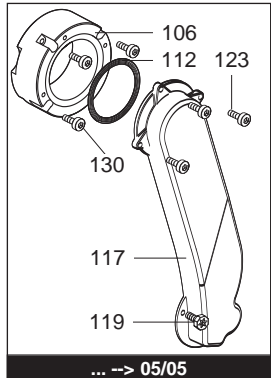
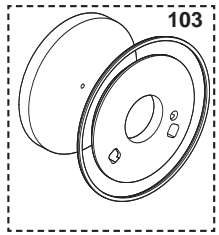
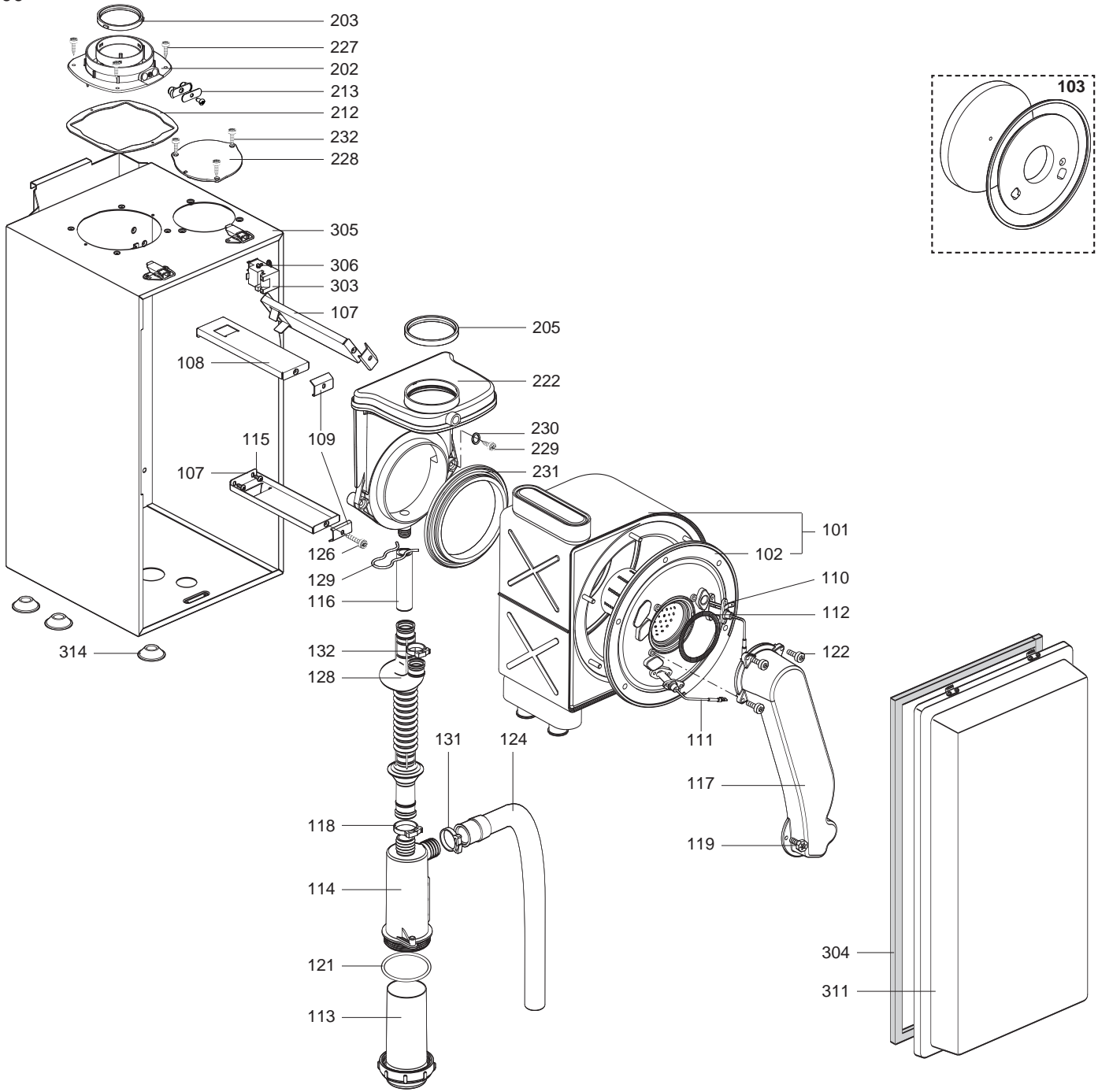
NIAGARA GREEN

R8202808-06EN - Edition 06 - 26/06/2006

NIAGARA GREEN

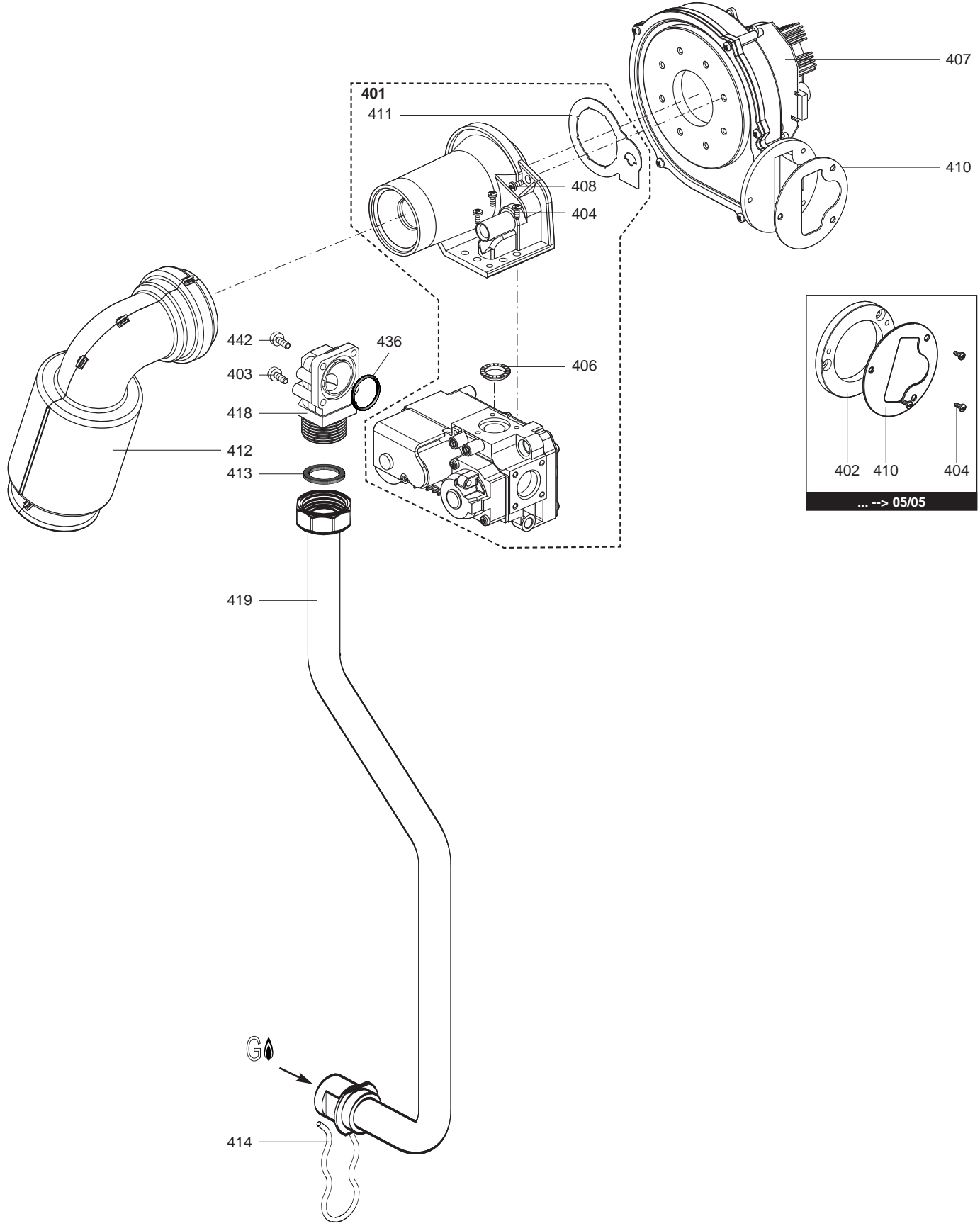
Domestic Gas Boilers

3650030		NIAGARA GREEN 24 FF NAT	11/04	...
3650028		NIAGARA GREEN 35 FF NAT	11/04	...
Reference	Ind.	Model type	Begin	End

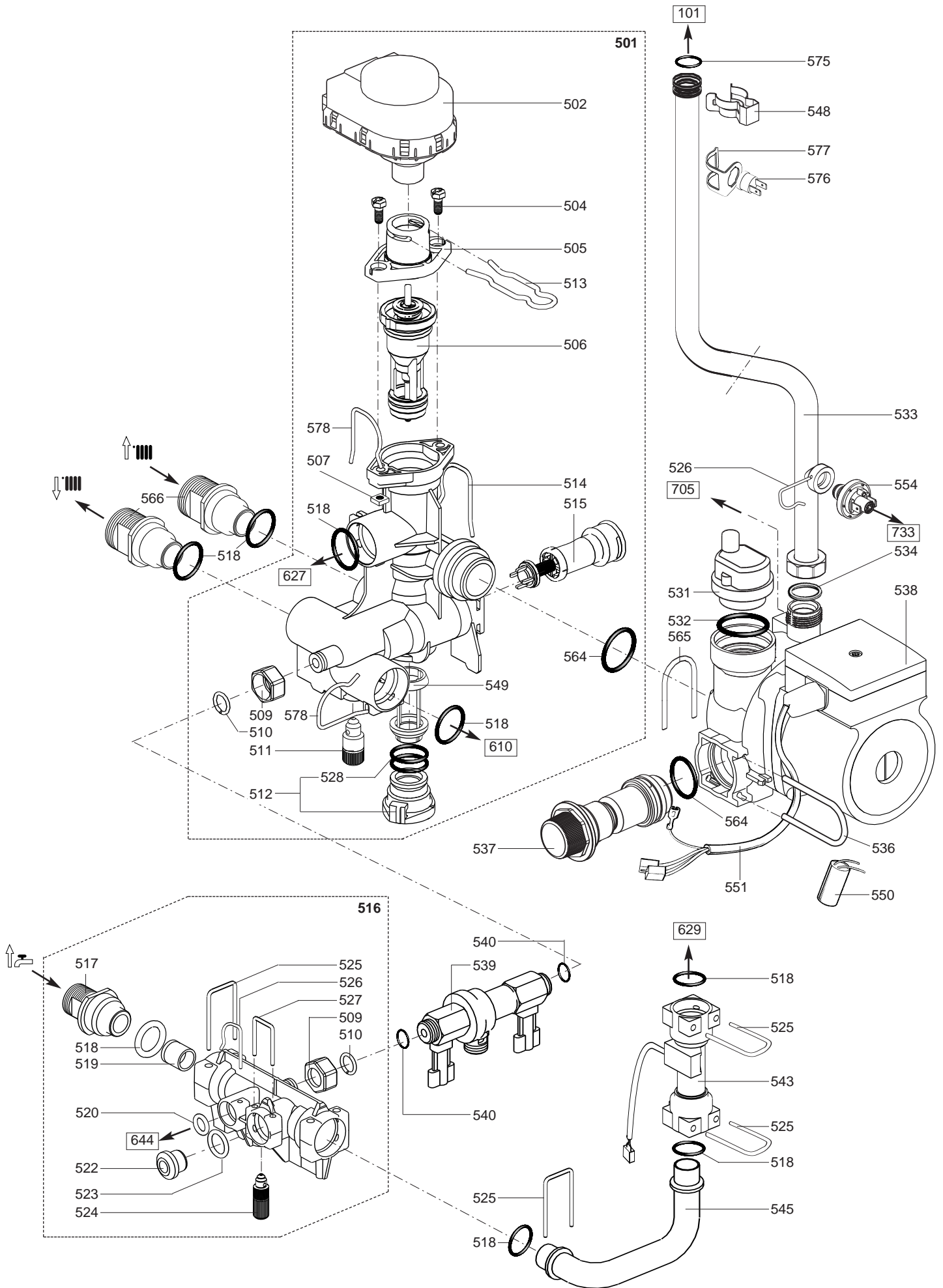


... -> 05/05

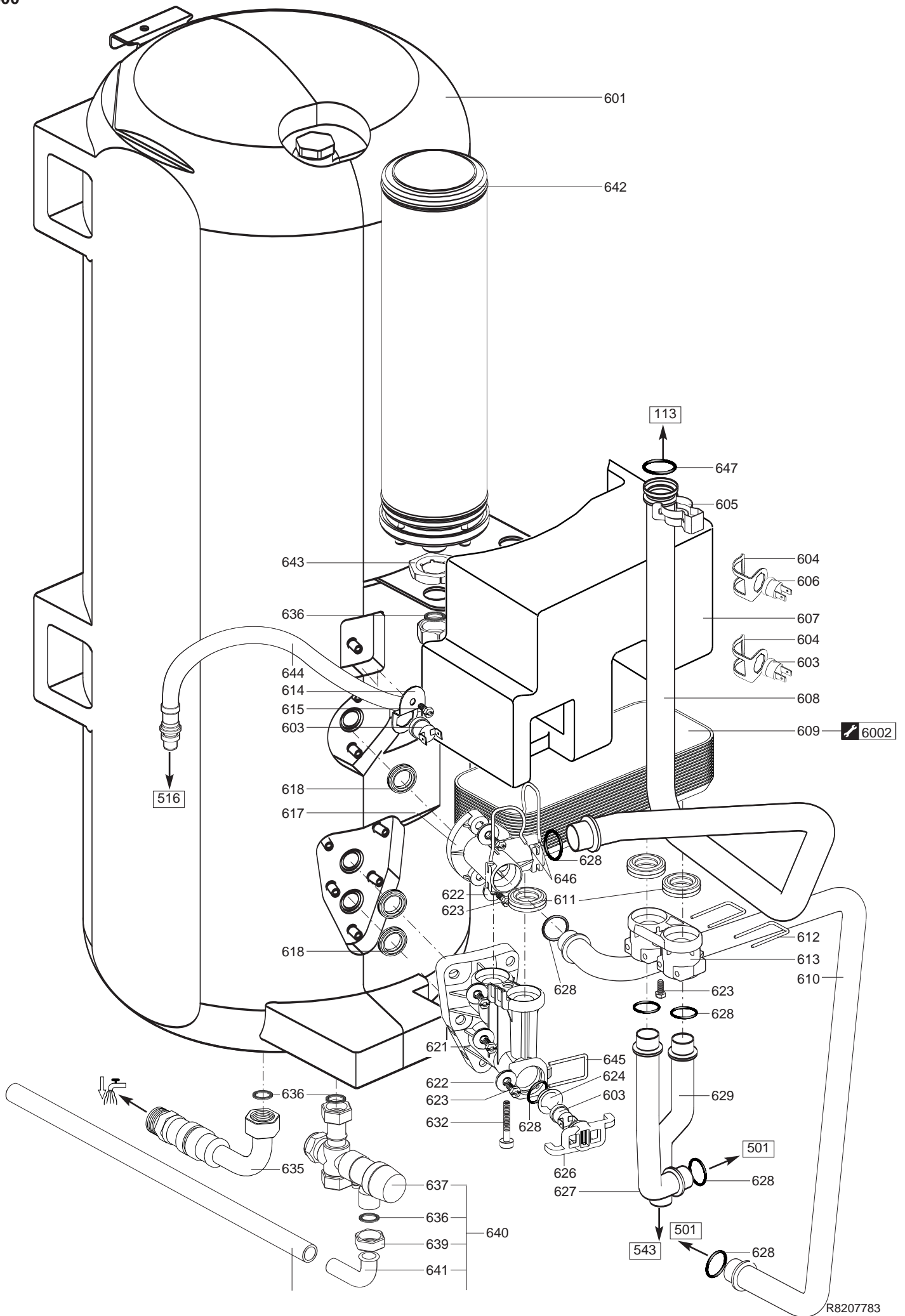
Key N	Description	Manf. Pt. N	Other	Type	NIAGARA GREEN		Manf. date	
					FF	FF	from	to
0100	BURNER ASSEMBLY							
0101	EXCHANGER 24KW	61313760			●			
	EXCHANGER 35KW	61314834				●		
0102	DOOR ASSY	61313614			●	●		
0103	COMBUSTION CHAM. LINING & WASHER	60000391			●	●		
0106	SPACER	61314749			●			
	SPACER	61314842				●		
0107	FIXING BRACKET	61314853			●			
	FIXING BRACKET	61314854				●		
0108	FIXING BRACKET	61315040				●		
	FIXING BRACKET	61316305			●			
0109	HOOING BRACKET	61306448			●	●		
0110	IGNITION ELECTRODE	61317432			●	●		
0111	IONIZATION ELECTRODE	61317433			●	●		
0112	GASKET D:85-66.5-2.5	61314753			●	●		
0113	CONDENSATE TRAP (LOWER)	65102070			●	●		
0114	CONDENSATE TRAP (UPPER)	65102548			●	●		
0115	TAPPING SCREW CBLX D: 4.2-9.5	61010125			●	●		
0116	FLEXIBLE PIPE KIT	61315317			●	●		
0117	DUCT FIRST SECTION	60000022			●			
	DUCT FIRST SECTION	60000023				●		
	DUCT FIRST SECTION	61313527			●			05/05
	DUCT FIRST SECTION	61315368				●		05/05
0118	STRAP 25.3-27.3	61317450			●	●		
0119	SCREW HX M 5-12	61010131			●	●		
0121	O-RING (3175 EPDM D=44.9)	990695			●	●		
0122	SCREW D: 5-14	61308782			●	●		
0123	SCREW CLX M 5-20	61017600			●	●		
0124	TUBE PVC D:19 L:750	61316715			●	●		
0126	TAPPING SCREW CBLX D: 4.2-25	61010128			●	●		
0128	UNION	65103458			●	●		
0129	PIN	61305179			●	●		
0130	SCREW CLXS M 5-25	61016601			●	●		
0131	STRAP 26.5-28.6	61317451			●	●		
0132	STRAP 21.4-23.0	61317449			●	●		
0133	RESTRICTOR	60000251			●			
0200	FAN ASSEMBLY							
0202	FLUE CONNECTION	61315055			●	●		
0203	GASKET D:66-58.4-9	61310088			●	●		
0205	GASKET D:66.6	61306029			●	●		
0212	GASKET	61300262			●	●		
0213	PLUG KIT	61306698			●	●		
0222	OUTGOING FLUE BOX	61314748			●	●		
0227	TAPPING SCREW CBLZ D: 4.2-13	60079486			●	●		
0228	AIR RETURN COVER	991821			●	●		
0229	TAPPING SCREW CBLX D: 4.2-32	61315056			●	●		
0230	WASHER D: 11.5-6.2-1	60034377			●	●		
0231	GASKET D:129.4	61306030			●	●		
0232	TAPPING SCREW D: 4.8-9.5	61007613			●	●		
0300	SEALED CASE							
0303	IGNITER	61002105-20			●	●		
0304	FOAM SEAL 12.5x5 L: 2.5M	60081273			●	●		
0305	CASE	61317033				●		
	CASE	61317325			●			
0306	TAPPING SCREW CBLX D: 4.2-9.5	61010125			●	●		
0311	CASE COVER	61317032			●	●		
0314	GROMMET	61010109			●	●		



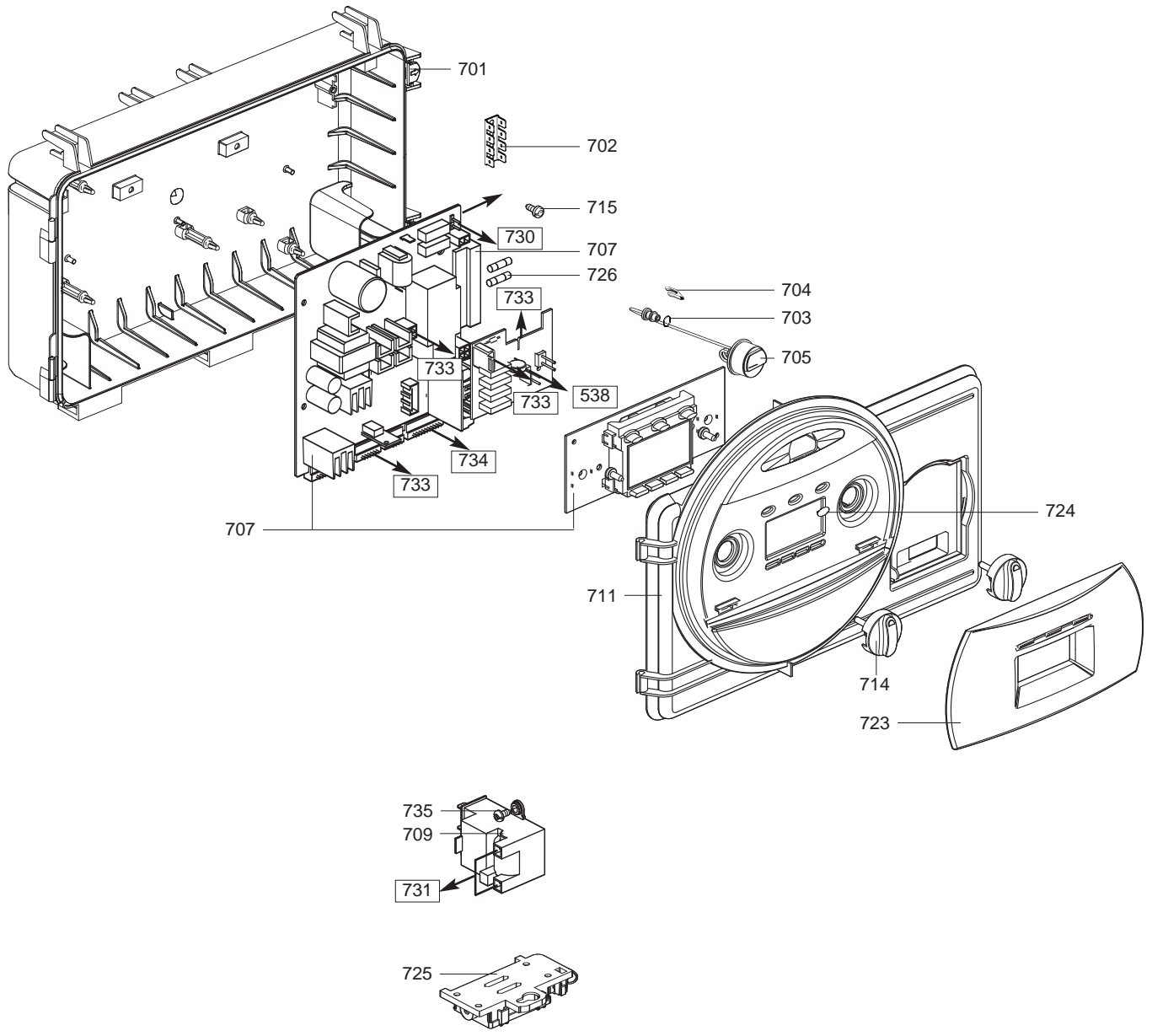
... --> 05/05

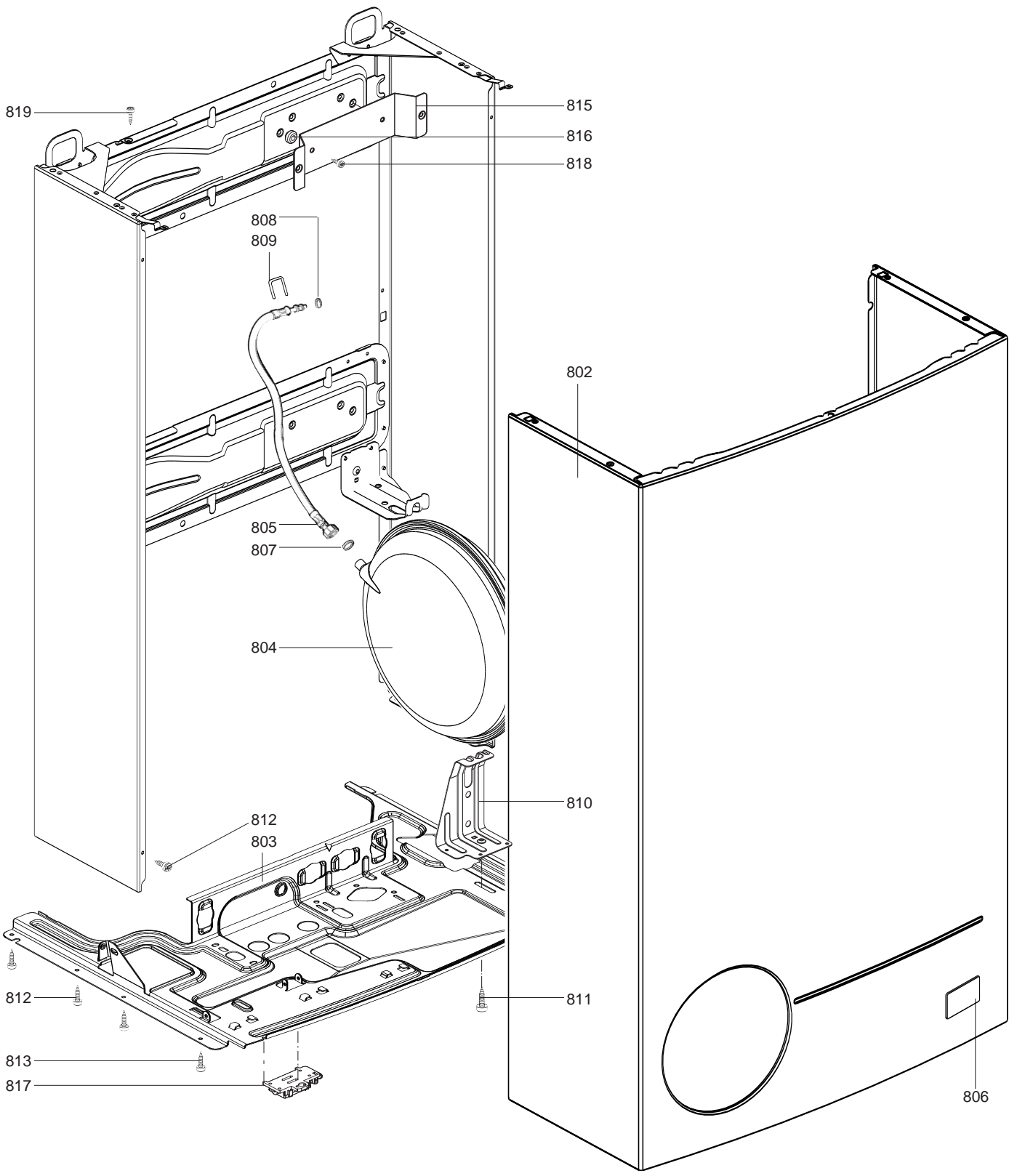


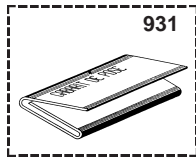
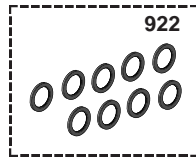
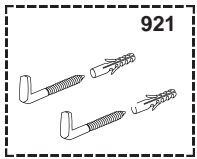
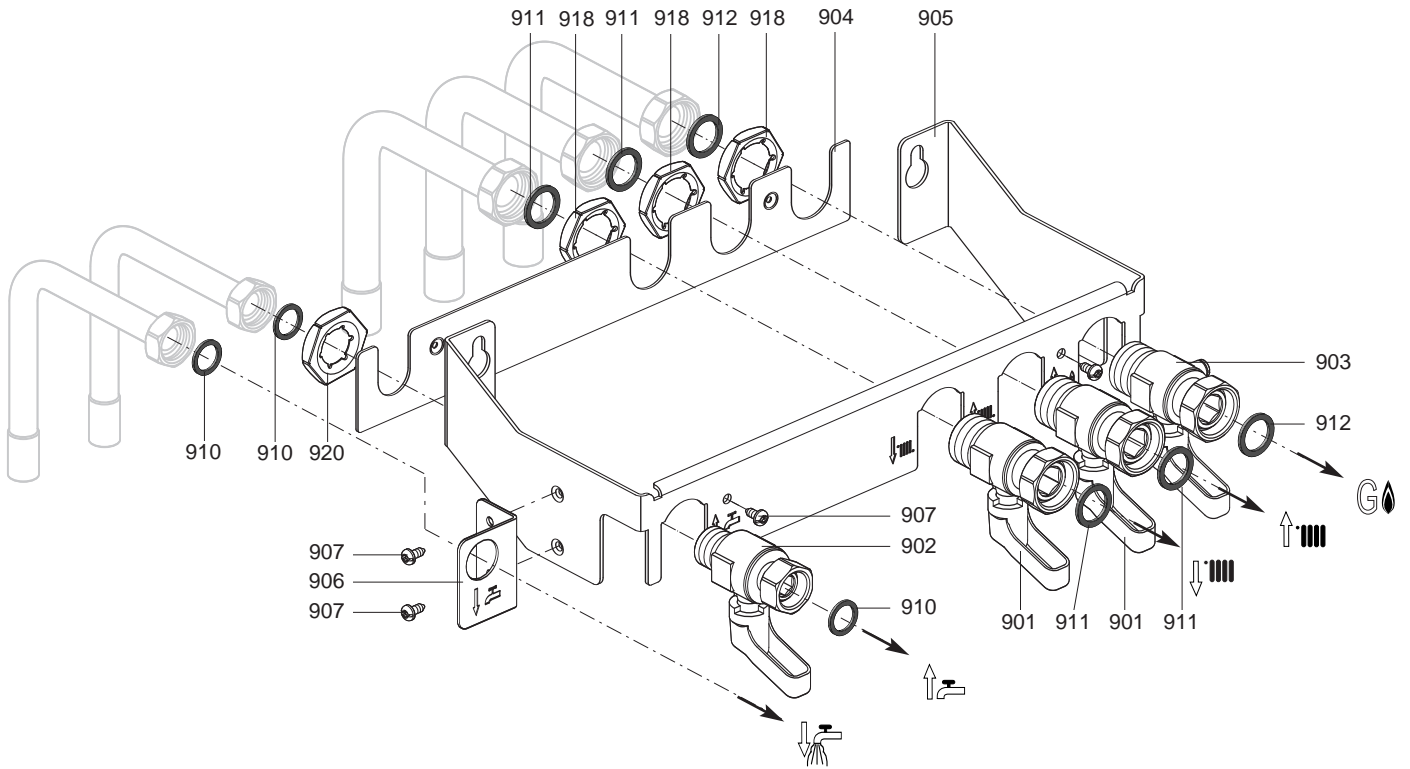
Key N	Description	Manf. Pt. N	Other	Type	NIAGARA GREEN		Manf. date	
					FF	FF	from	to
0500	HYDRAULIC BLOCK							
0501	HEATING BLOCK ASSY	61306595			●	●		
0502	MOTOR - THREE-WAY VALVE	61302483			●	●		
0504	SCREW HX M 5-12	61010131			●	●		
0505	INTERFACE	61304003			●	●		
0506	VALVE KIT	61303330			●	●		
0507	NUT M 5	61016604			●	●		
0509	NUT 3/8" THICK: 11	60020746-20			●	●		
0510	RETAINING RING	61302621			●	●		
0511	DRAIN SCREW ASSY	60081028			●	●		
0512	PLUG ASSY	61305112			●	●		
0513	PIN	61304002			●	●		
0514	PIN	61302332			●	●		
0515	BY-PASS	61305111			●	●		
0516	WATER/WATER HEAT BLOCK ASSY	61317030			●	●		
0517	CONNECTION	61302753			●	●		
0518	O-RING D: 17-4	60024164-51			●	●		
0519	FLOW REGULATOR 14L A/R	61316751			●	●		
0520	O-RING D: 8.9-2.7	60021061-14			●	●		
0522	PLUG	61303675			●	●		
0523	O-RING D: 13.6-2.7	60021061-18			●	●		
0524	DRAIN SCREW ASSY	60081904			●	●		
0525	PIN	61016206-02			●	●		
0526	CLIP	61010005			●	●		
0527	PIN	61303234			●	●		
0528	O-RING D: 22-2	60022113-03			●	●		
0531	AIR SEPARATOR HEAD ASSEMBLY	61304608			●	●		
0532	GASKET KIT	61304618			●	●		
0533	TUBE : PUMP TO HEAT EXCHANGER	60000207			●	●	12/05	
	TUBE : PUMP TO HEAT EXCHANGER	61314830			●	●		11/05
0534	O-RING D: 16-1.9	61009833-37			●	●		
0536	CLIP	61302720			●	●		
0537	PRESSURE RELIEF VALVE	61305113			●	●		
0538	PUMP + AIR SEPARATOR 15/50	61301964			●	●		
	PUMP + AIR SEPARATOR 15/60	61303461			●	●		
0539	DISCONNECTOR	61303319			●	●		
0540	SHEET TASKET D: 15-8.5-1.5	60030867			●	●		
0543	STOPPED WATER THROTTLE	61304982			●	●		
0545	COLD WATER TUBE	61303215			●	●		
0548	CLIP	61307589			●	●		
0549	HEATING FILTER	61016502			●	●		
	FILTER	61312851			●	●		
0550	CAPACITOR	61000652-10			●	●		
0551	PUMP LEAD (2 SPEEDS)	61306995			●	●		
0554	PRESSURE SENSOR 0.4b	61311660			●	●		
0564	O-RING D: 24.6-3.6	61009834-30			●	●		
0565	CLIP	60030898-03			●	●		
0566	CONNECTION	61303920			●	●		
0575	O-RING D: 17.86-2.62	61308091			●	●		
0576	THERMISTOR TEMPERATURE SENSOR	61314258			●	●		
0577	CLIP	61010050			●	●		
0578	CLIP	61010012			●	●		



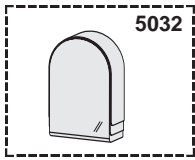
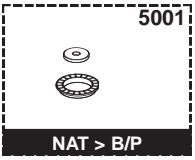
Key N	Description	Manf. Pt. N	Other	Type	NIAGARA GREEN		Manf. date	
					FF	FF	from	to
0600	HOT WATER TANK							
0601	HOT WATER TANK 45L	61317027			●	●		
	GASKET	61317346						
0603	THERMISTOR TEMPERATURE SENSOR	61314258			●	●		
0604	CLIP	61010050			●	●		
0605	CLIP	61307589			●	●		
0606	OVERHEAT THERMOSTAT 100C	61010572			●	●		
0607	INSUALTION-W/WATER HEAT EXCH.	61303156			●	●		
0608	HEATING FLOW BEND	61314700				●		
	HEATING FLOW BEND	61316392			●			
0609	WATER / WATER HEAT EXCHANGER 16	61314111			●	●		
0610	HEATING FLOW BEND	61314831			●	●		
0611	LIP SEAL	61002249			●	●		
0612	PIN	61016206-02			●	●		
0613	INTERFACE SYSTEM - EXCHANGER	61302492			●	●		
0614	SUPPORT	61303369			●	●		
0615	SCREW HSX M 5-8	61302631			●	●		
0617	TOP INTERFACE SYSTEM ASSY	61302533			●	●		
0618	LIP SEAL	61302622			●	●		
0621	BOTTOM INTERFACE SYSTEM ASSY	61306596			●	●		
0622	WASHER	61304158			●	●		
0623	SCREW HX M 5-12	61010131			●	●		
0624	CUPEL	61303238			●	●		
0626	CLIP	61303237			●	●		
0627	FLOW TUBE	61314693			●	●		
0628	O-RING D: 17-4	60024164-51			●	●		
0629	COLD WATER TUBE	61314692			●	●		
0632	SCREW HSX M 5-80	61303236			●	●		
0635	HOT WATER BEND	61305099			●	●		
0636	WASHER D: 18.4-12.2-1.5	60061855-14			●	●		
0637	PRESSURE RELIEF VALVE 7 BARS	61304749			●	●		
0638	TUBE PVC D: 13x17 L: 1M	60081266-02			●	●		
0639	NUT 1/2" THICK: 12	60020747-28			●	●		
0640	PRESSURE RELIEF VALVE KIT	61305178			●	●		
0641	CONNECTING PIPE	61010430			●	●		
0642	EXPANSION VESSEL	61316921			●	●		
0643	LOCK NUT H 1/2"	60031139			●	●		
0644	FLEXIBLE PIPE KIT	61314703			●	●		
0645	PIN	61303316			●	●		
0646	CLIP	61010012			●	●		
0647	O-RING D: 17.86-2.62	61308091			●	●		



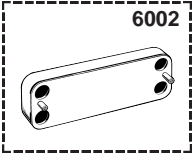




5000



6000



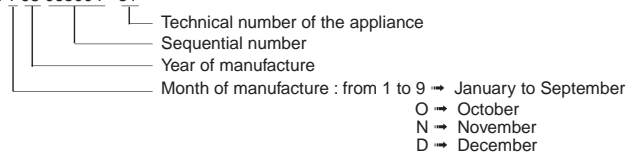
LIST OF THE ABBREVIATIONS

HW	: Hot water.
CW	: Cold water.
C	: Ceramic resistance (normal heating).
Ca	: Ceramic resistance (accelerated heating)
TP	: Immersion heater.
1F	: With fittings.
2F	: Without fittings.
3F	: With fittings and another outlet connection.
AMI	: With mixing valve.
SMI	: Without mixing valve.
PUISS	: Power of th appliance.
PN	: Appliance with normal pression.
LP	: Appliance with low pression.
PV	: Appliance with variable power.
PF	: Appliance with fixed power..

IDENTIFICATION PLATE

SERIAL NUMBER

Ex: 1 95 065004 - 31



The indications mentioned on the prices, commercial or technical literature and the scheme are written for your guidance and are available at a given time. The CONSTRUCTOR retains the power to modify the presentation, the form, the size, the conception or the material of the products.